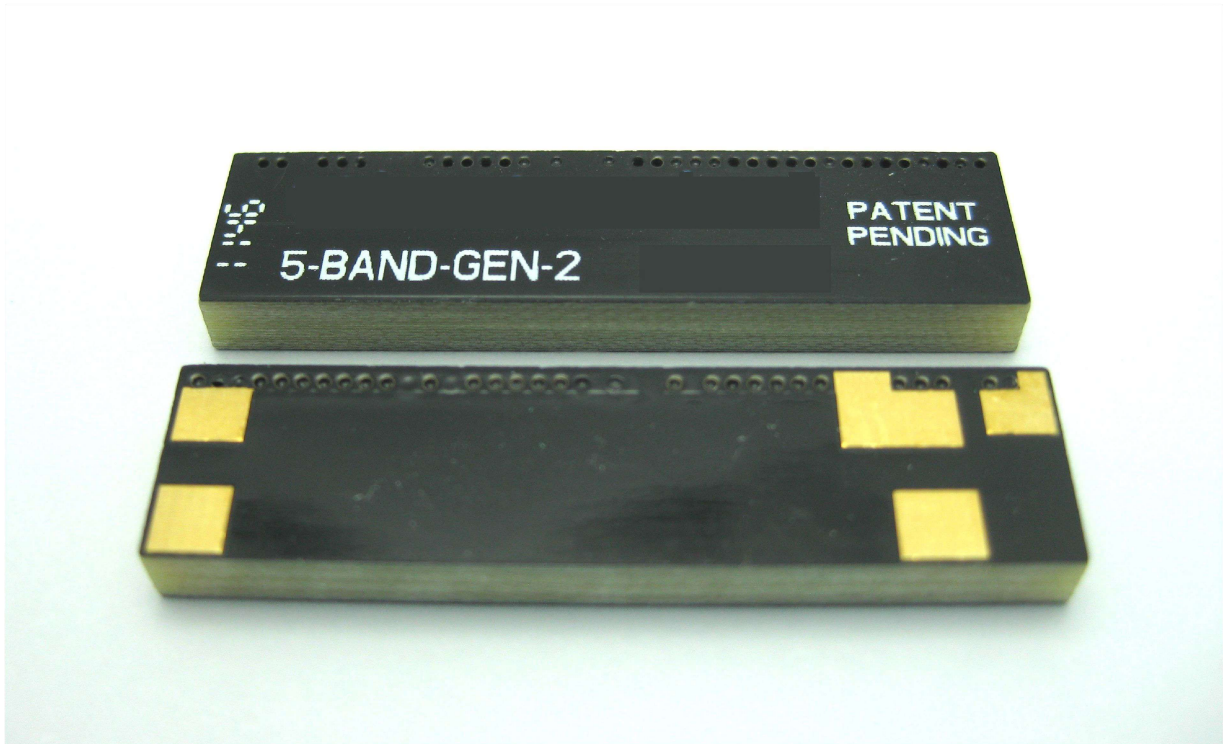


GSM Embedded Antenna

JCG130

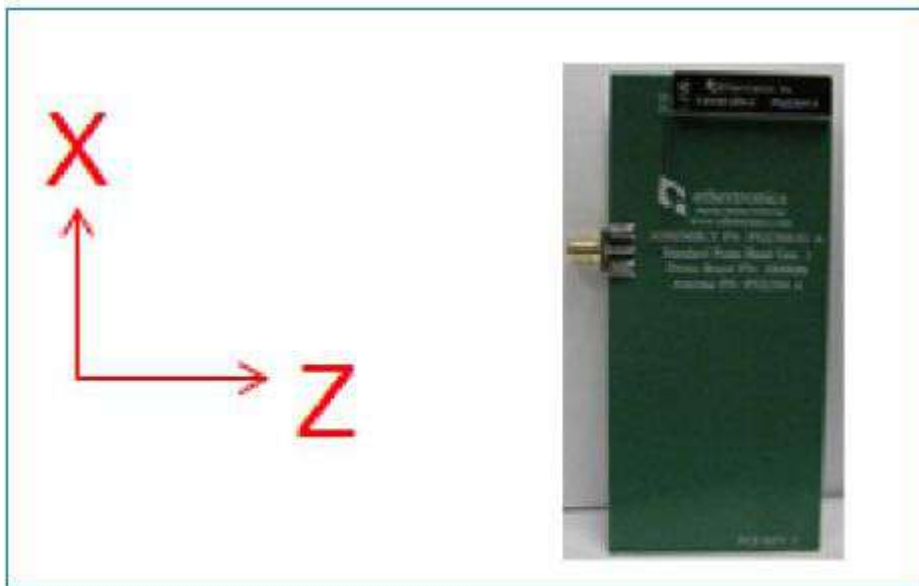


SPECIFICATIONS

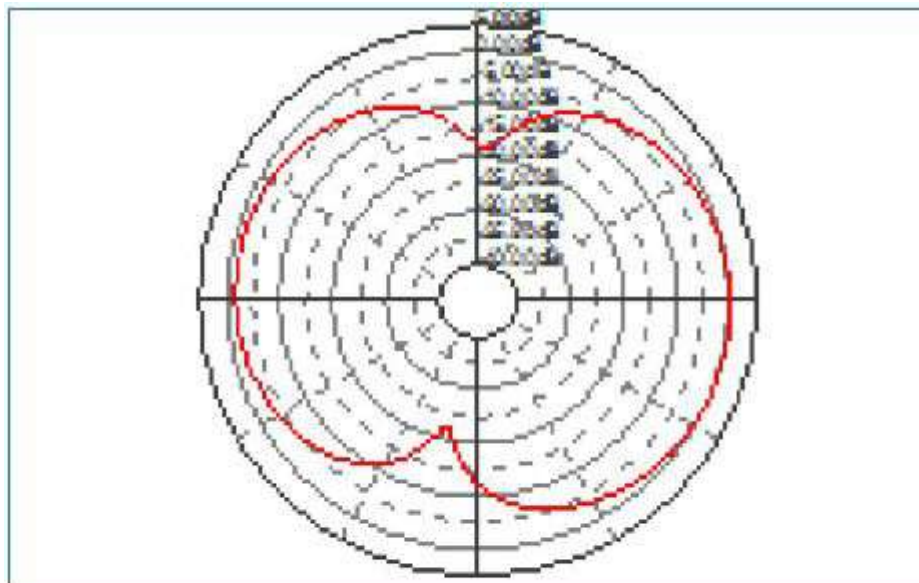
| Item | Specifications | |
|------------|-----------------|----------------------|
| Antenna | Frequency Range | 824~960/1710~2170MHz |
| | Polarization | Linear |
| | Gain | 0.5~1.0dBi (Zenith) |
| | V.S.W.R (min) | ≤ 2.5 |
| | Impedance | 50 Ω |
| Mechanical | Size | 35x9x3.2 mm |
| | Mounting Method | Embedded |

| | | |
|---------------|--------------------------|--|
| Environmental | Operating Temperature | -40°C~+85°C |
| | Relative Humidity | Up to 95% |
| | Vibration | 10 to 55Hz with 1.5mm amplitude 2hours |
| | Environmentally Friendly | ROHS Compliant |

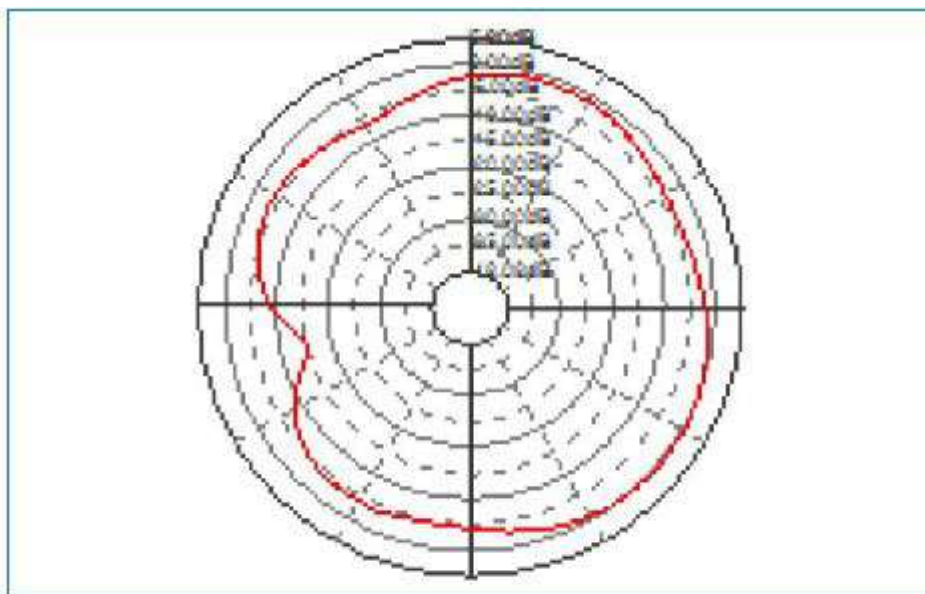
Radiation Pattern



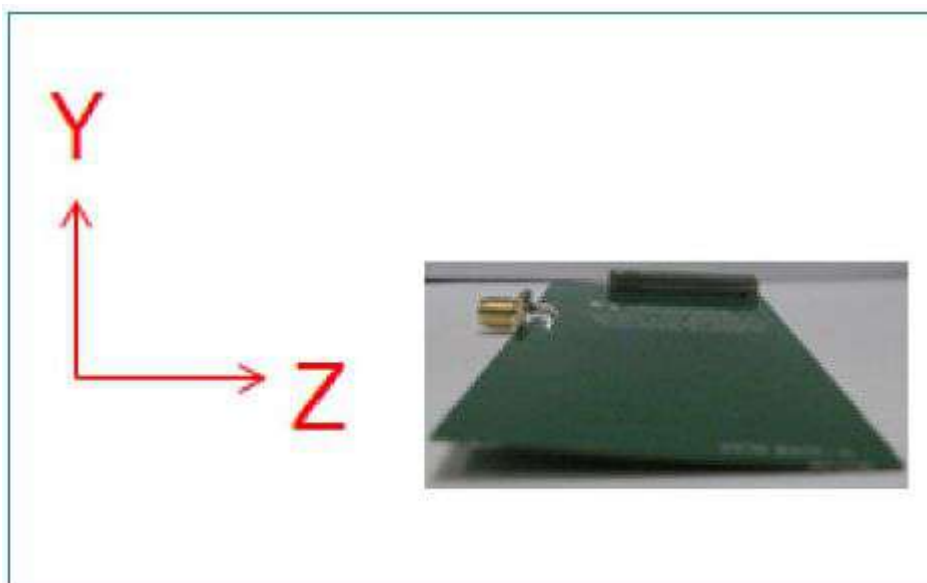
Reference Board 50x110mm in the xz plane view



Typical Radiation Patterns for 824-960 MHz frequency band, on Reference Board 50x110mm for xz plane



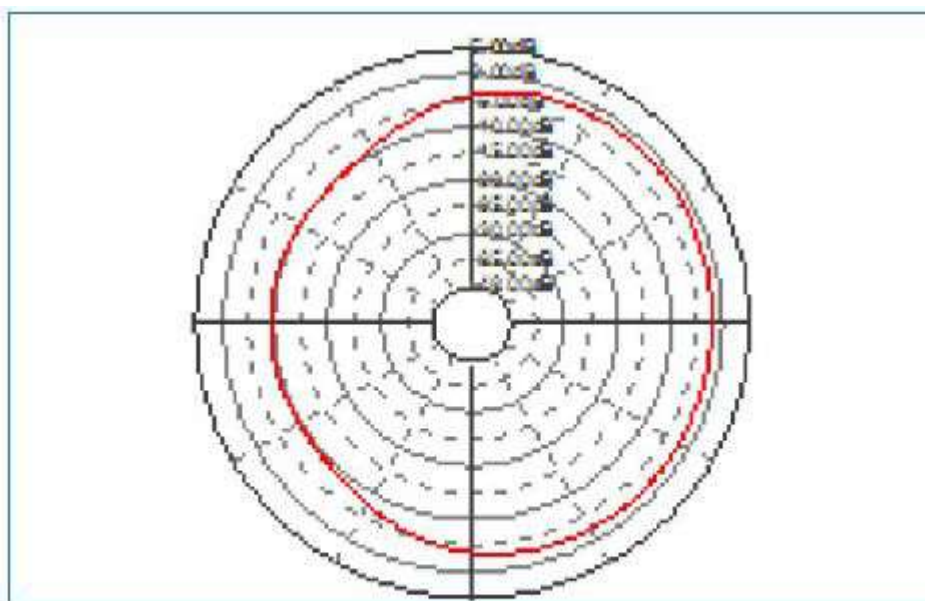
Typical Radiation Patterns for 1710-2170 MHz
frequency band, on Reference Board 50x110mm for
xz plane



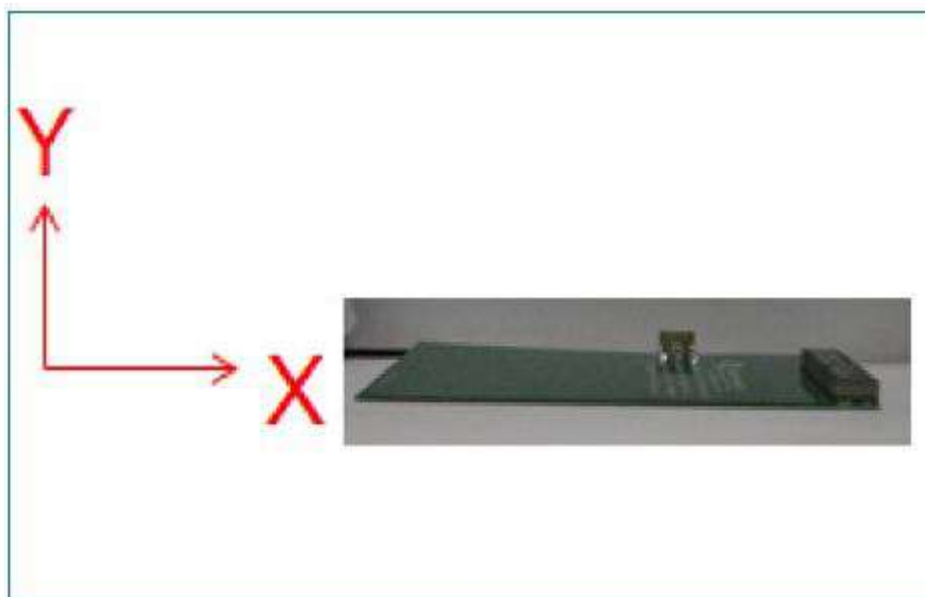
Reference Board 50x110mm in the yz plane view



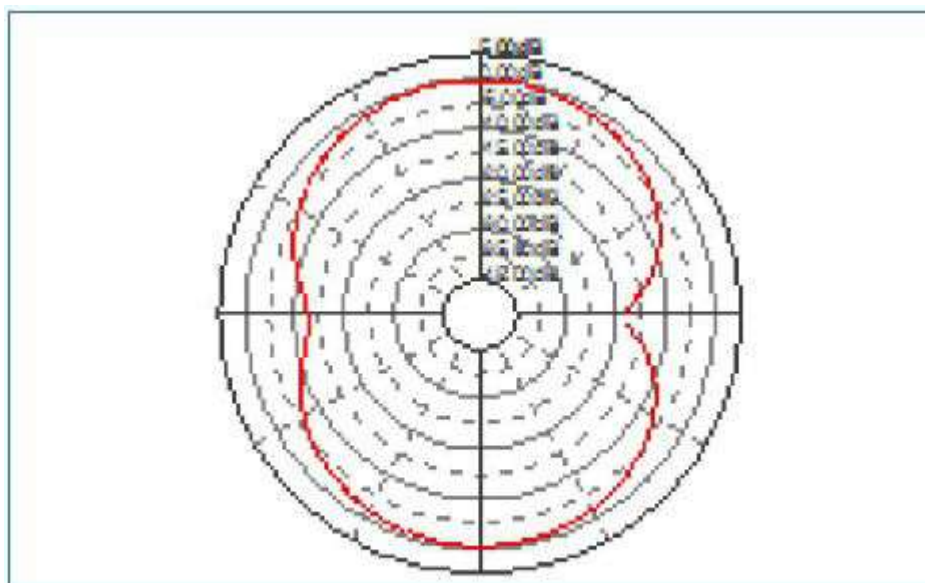
Typical Radiation Patterns for 824-960 MHz frequency band, on Reference Board 50x110mm for yz plane



Typical Radiation Patterns for 1710-2170 MHz frequency band, on Reference Board 50x110mm for yz plane



Reference Board 50x110mm in the yx plane view



Typical Radiation Patterns for 824-960 MHz frequency band, on Reference Board 50x110mm for yx plane



Typical Radiation Patterns for 1710-2170 MHz
frequency band, on Reference Board 50x110mm for
yx plane