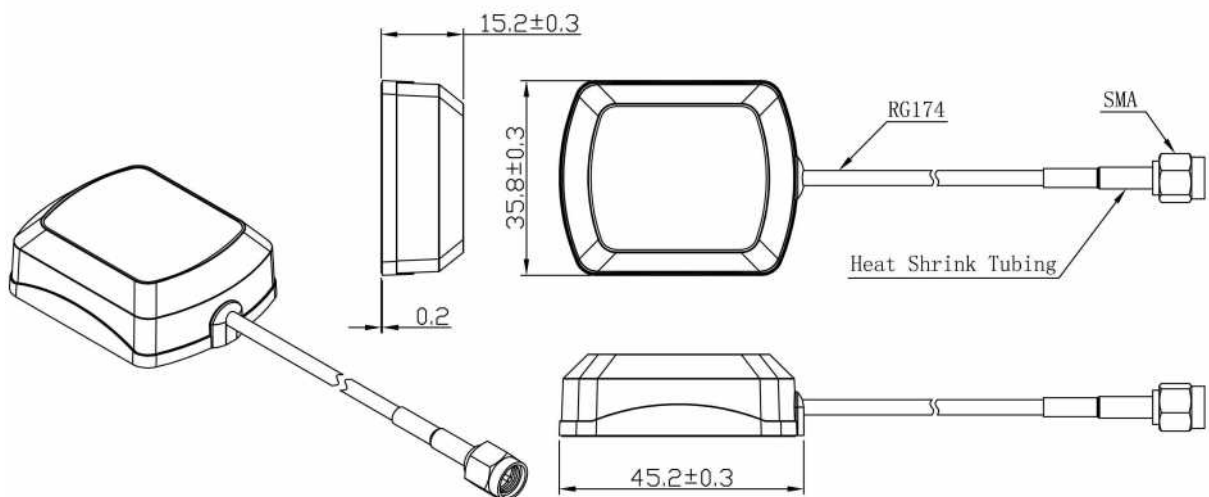


COMPASS&GLONASS Active Antenna JCA220



DIMENSIONS



UNIT: mm

SPECIFICATIONS

Item	Specifications	
Antenna	Frequency Range	1561.098/1602MHz
	Polarization	RHCP
	Gain	2dBic (Zenith)
	V.S.W.R	<1.5
	Impedance	50 Ω
	Dimension	25*25*4mm
LNA	Gain	28 ± 2dB
	Noise Figure	≤1.5dB
	Ex-band Attenuation	25dB@1561-50MHz/25dB@1602+50MHz
	Supply Voltage	2.5~5V DC
	Current Consumption	≤25mA@3.3V DC
	V.S.W.R	<2.0
Mechanical	Cable	RG174 or others
	Connector	SMA/MCX/FAKRA or others
	Radome Material	ABS
	Mounting Method	Magnet/Adhesive
Environmental	Operating Temperature	-40℃~+85℃
	Relative Humidity	Up to 95%
	Ingress Protection	IP65~IP67
	Vibration	10 to 55Hz with 1.5mm amplitude 2hours
	Environmentally Friendly	ROHS Compliant

Radiation Pattern

