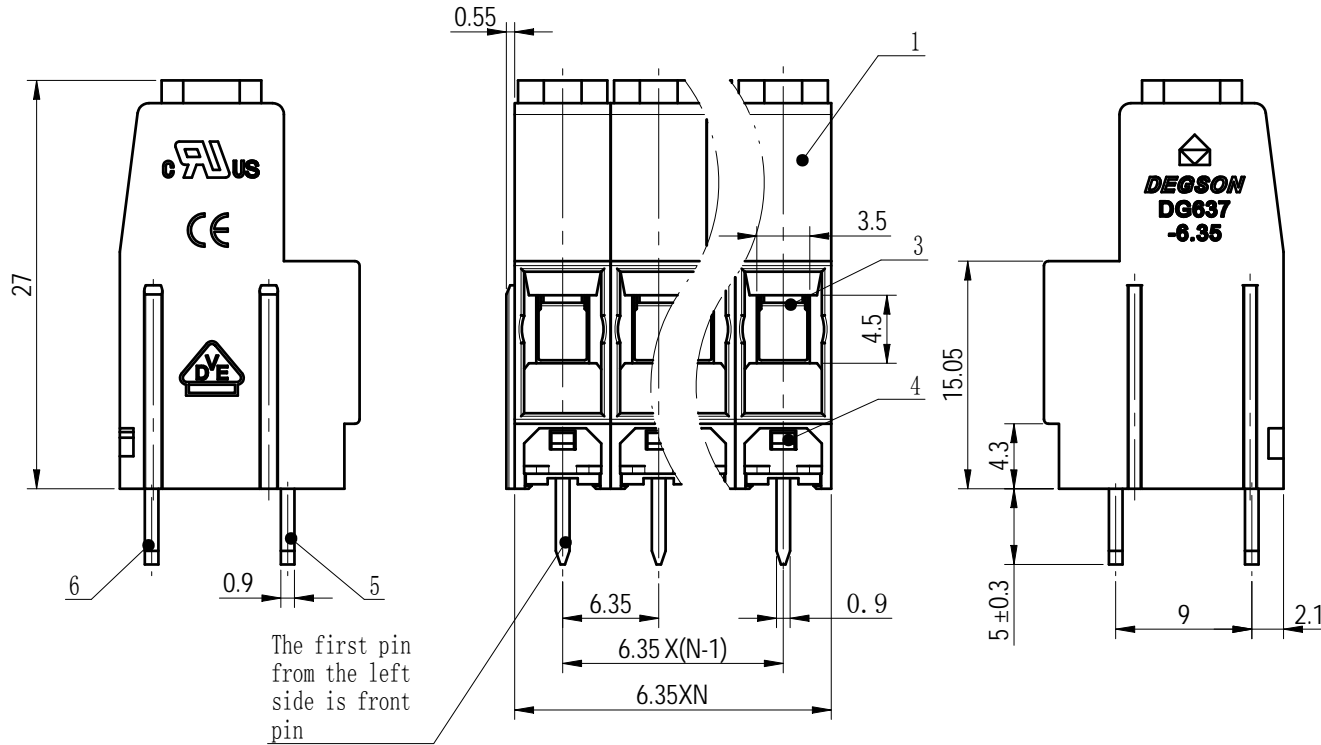
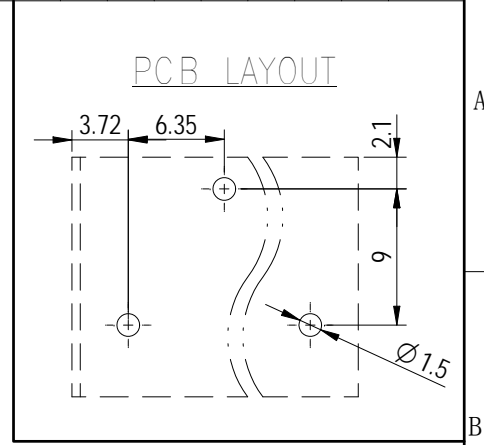
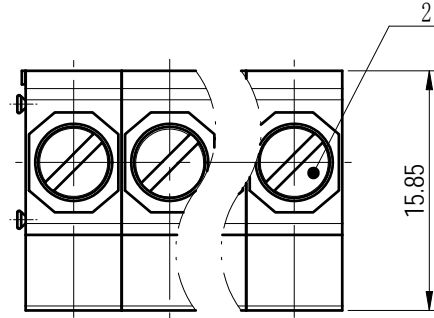


| 未注公差/General tolerances (mm) |              |               |                |                |                |                |                 |                  |                  |                  |                  |                  | D<br>0.1/10 |      |
|------------------------------|--------------|---------------|----------------|----------------|----------------|----------------|-----------------|------------------|------------------|------------------|------------------|------------------|-------------|------|
| 0<br>~<br>3                  | >3<br>~<br>6 | >6<br>~<br>10 | >10<br>~<br>18 | >18<br>~<br>30 | >30<br>~<br>50 | >50<br>~<br>80 | >80<br>~<br>120 | >120<br>~<br>180 | >180<br>~<br>250 | >250<br>~<br>315 | >315<br>~<br>400 | >400<br>~<br>500 |             | >500 |
| ±0.12                        | ±0.18        | ±0.22         | ±0.26          | ±0.31          | ±0.37          | ±0.57          | ±0.80           | ±0.93            | ±1.05            | ±1.15            | ±1.60            | ±2.20            | ±2.50       | ±2'  |



The first pin from the left side is front pin

| ITEM | NAME OF PART     | MATERIAL     | NOTES        |
|------|------------------|--------------|--------------|
| 6    | After pin header | Copper       | Sn Plated    |
| 5    | Front pin header | Copper       | Sn Plated    |
| 4    | Cover            | PA66         | UL94V-0      |
| 3    | Cage             | Copper alloy | M3/Ni Plated |
| 2    | Screw            | Steel        | M3/Zn Plated |
| 1    | Housing          | PA66         | UL94V-0      |

| UL 标准/UL Standard:                                  | B               | C       | D       |
|---|-----------------|---------|---------|
| 额定电压/电压/Rated Voltage(V)/Current(A)                 | 600V/30         | 600V/30 | 600V/5  |
| IEC 标准/IEC Standard:                                |                 |         |         |
| 过压类别/Overvoltage Category/污染等级/Pollution Degree     | III/3           | III/2   | II/2    |
| 额定电压/电压/Rated Voltage(V)/Current(A)                 | 500/20          | 630/20  | 1000/20 |
| 额定脉冲电压(KV)/Rate Impulse Voltage(KV)                 | 8               | 8       | 8       |
| 螺丝扭矩/Torque Tightening(N·m/Lb.in)                   | M3, 0.5/5.0     |         |         |
| 线径范围(硬线和软线)/Wire Range(rigid and flexible)(AWG/mm²) | 28~10 / 0.2~4.0 |         |         |
| 间距/Pitch(mm)/线数范围/Poles                             | 6.35/N=02~16P   |         |         |
| 剥线长度/Stripping length(mm)                           | 7~8             |         |         |
| 使用温度范围/Operating temperature(°C)                    | -40~+105        |         |         |
| 符合RoHS环保要求/Conform to RoHS                          | Yes             |         |         |



|                                 |                |
|---------------------------------|----------------|
| MATERIAL:                       | SURFACE/COLOR: |
| MAT NO./REV: 10040004040-1 / 00 | MAT STATUS: 批量 |

|           |            |                          |                       |                    |           |           |
|-----------|------------|--------------------------|-----------------------|--------------------|-----------|-----------|
| APPD: 兰春华 | 2022.05.18 | DRAWING NO. 200071460    | TYPE CUSTOMER DRAWING | DRAWING STATUS 已发布 | SCALE 2:1 | SHEET 1/1 |
| CHKD: 陈招  | 2022.05.18 |                          |                       |                    |           |           |
| DRFT: 龚徐涛 | 2022.05.18 |                          |                       |                    |           |           |
| NAME      |            | DG637-6.35-XXP-1Y-00A(H) |                       |                    |           |           |

| REV | ECN | DESCRIPTION | DRFT | DATE       |
|-----|-----|-------------|------|------------|
| 00  |     | T0版升为00版    | 龚徐涛  | 2022.05.18 |

Transfer or duplication of this document as well as the utilization or communication of its content are prohibited unless authorization is granted. Violations will be held for compensation. All rights reserved for patent, utility model or design registrations. 除专利等明确标注外, 其他内容均受法律保护。未经书面授权, 不得复制或传播。否则, 公司将依法追究法律责任。保留对侵权行为的追究权利。