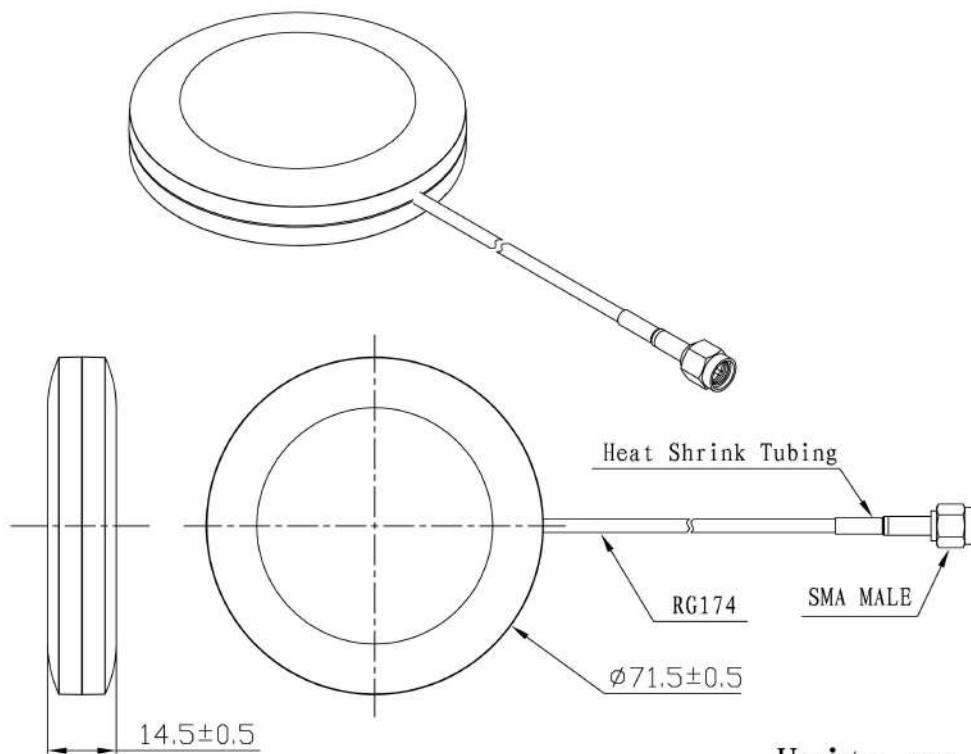


# LTE Antenna JCG018L



## DIMENSIONS

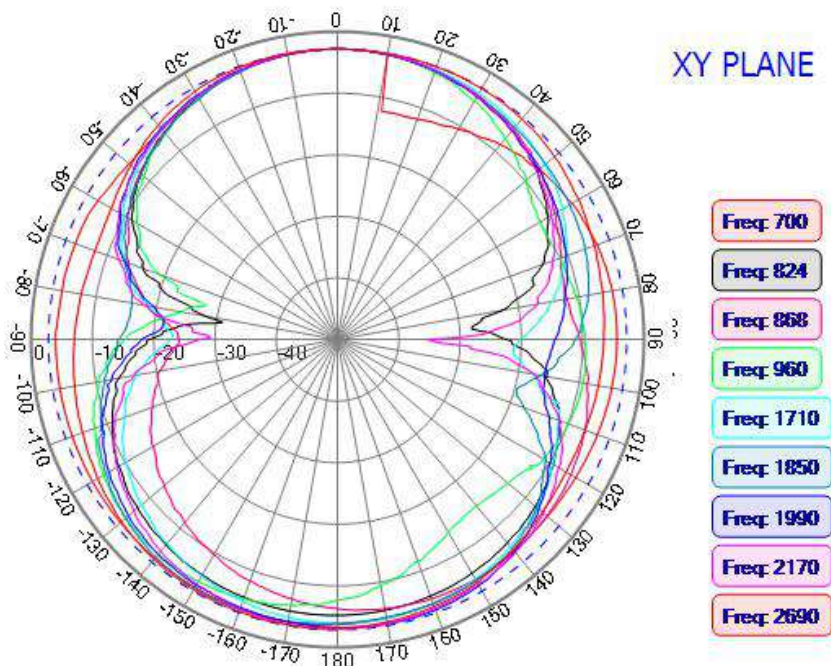


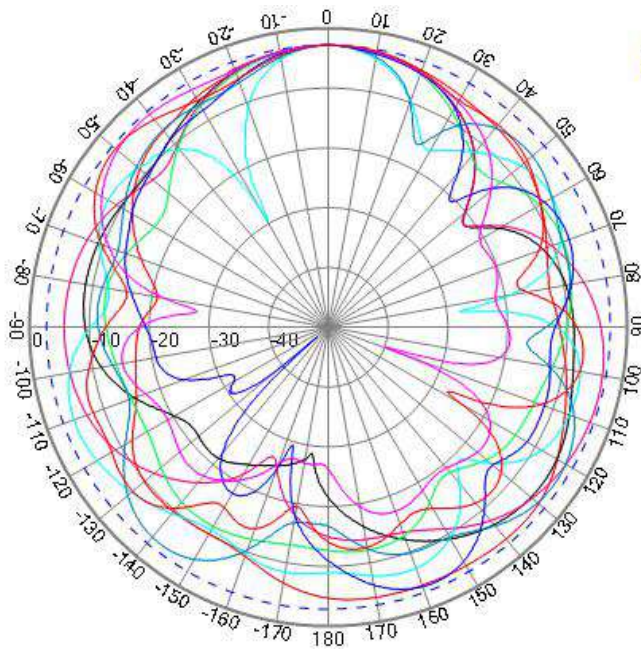
Unit: mm

## SPECIFICATIONS

| Item          | Specifications           |  |
|---------------|--------------------------|--|
| Antenna       | Frequency Range          | 698~960/1710~2690MHz                   |
|               | Polarization             | Linear                                 |
|               | Gain                     | 2.0dBi (Zenith)                        |
|               | V.S.W.R (min)            | <3.0                                   |
|               | Impedance                | 50 Ω                                   |
| Mechanical    | Cable                    | RG174 or others                        |
|               | Connector                | SMA or others                          |
|               | Radome Material          | ABS                                    |
|               | Mounting Method          | Adhesive/Magnet                        |
| Environmental | Operating Temperature    | -40°C~+85°C                            |
|               | Relative Humidity        | Up to 95%                              |
|               | Vibration                | 10 to 55Hz with 1.5mm amplitude 2hours |
|               | Environmentally Friendly | ROHS Compliant                         |

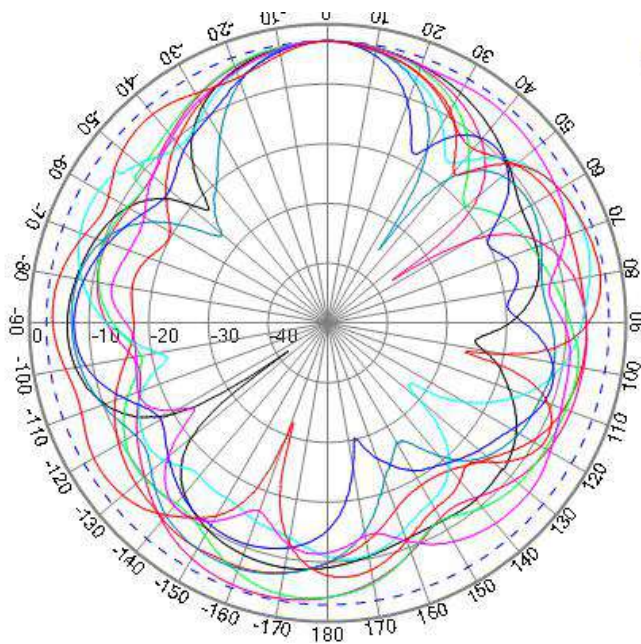
## Radiation Pattern





XZ PLANE

- Freq: 700
- Freq: 824
- Freq: 868
- Freq: 960
- Freq: 1710
- Freq: 1850
- Freq: 1990
- Freq: 2170
- Freq: 2690



YZ PLANE

- Freq: 700
- Freq: 824
- Freq: 868
- Freq: 960
- Freq: 1710
- Freq: 1850
- Freq: 1990
- Freq: 2170
- Freq: 2690