

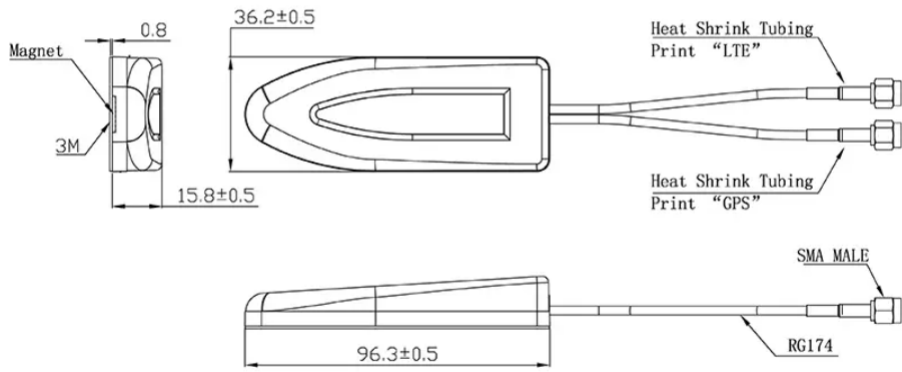
JCB009L



JC Antenna



DIMENSIONS



Unit: mm

SPECIFICATIONS

Item		Specifications	
GPS Antenna	Dielectric Antenna	Center Frequency	1575.42±3MHz
		Band Width	CF±5MHz
		Polarization	RHCP
		Gain	2dBic (Zenith)
		V.S.W.R	< 1.5
		Impedance	50Ω
	LNA	Gain	28±2dB
		Noise Figure	< 1.5dB
		V.S.W.R	< 2.0
		Supply Voltage	2.2~5V DC
Current Consumption		< 15mA	
LTE Antenna		Frequency Range	698~960MHz/1710~2690MHz
		V.S.W.R	< 3.0
		Polarization	Linear
		Gain	2dBi
		Impedance	50Ω
Mechanical		Cable	RG174
		Connector	SMA/MCX/FAKRA or others
		Radome Material	ABS
		Mounting Method	Magnet
Environmental		Operating Temperature	-40°C~+85°C
		Relative Humidity	Up to 95%
		Vibration	10 to 55Hz with 1.5mm amplitude 2hours
		Environmentally Friendly	ROHS Compliant