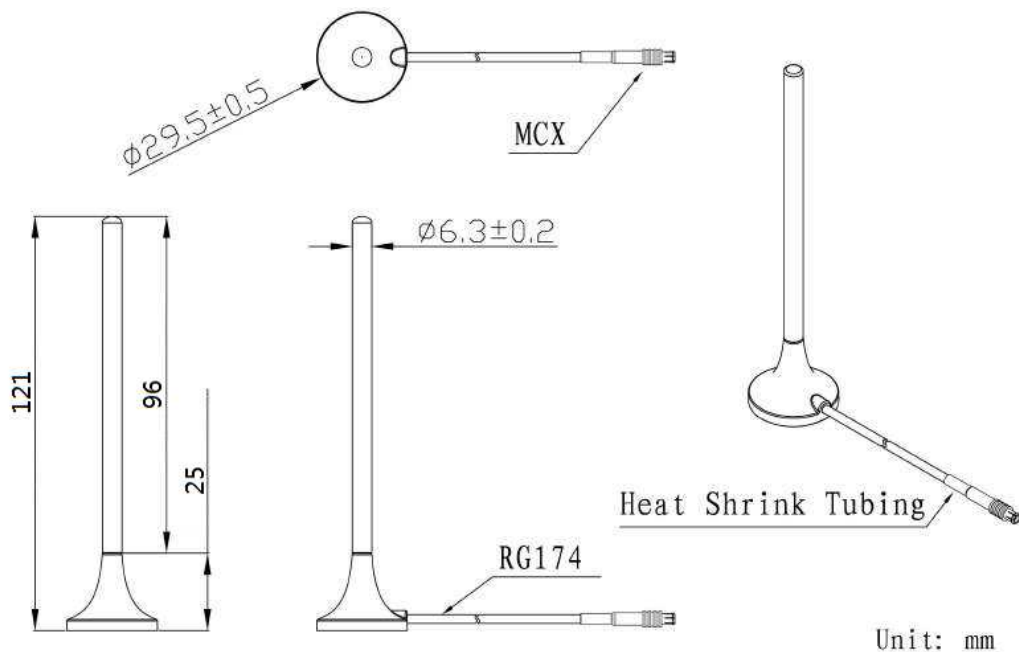


# LTE Antenna JCG016L-A



## DIMENSIONS



## SPECIFICATIONS

Item	Specifications	
Antenna	Frequency Range	698~868/1850~2690MHz
	Polarization	Linear
	Gain	2.0dBi (Zenith)
	V.S.W.R(min)	<2.0
	Impedance	50 Ω
Mechanical	Cable	RG174, cable 3m
	Connector	MCX straight male
	Mounting Method	Magnet
Environmental	Operating Temperature	-40°C~+85°C
	Vibration	10 to 55Hz with 1.5mm amplitude 2hours
	Environmentally Friendly	ROHS Compliant

## VSWR

