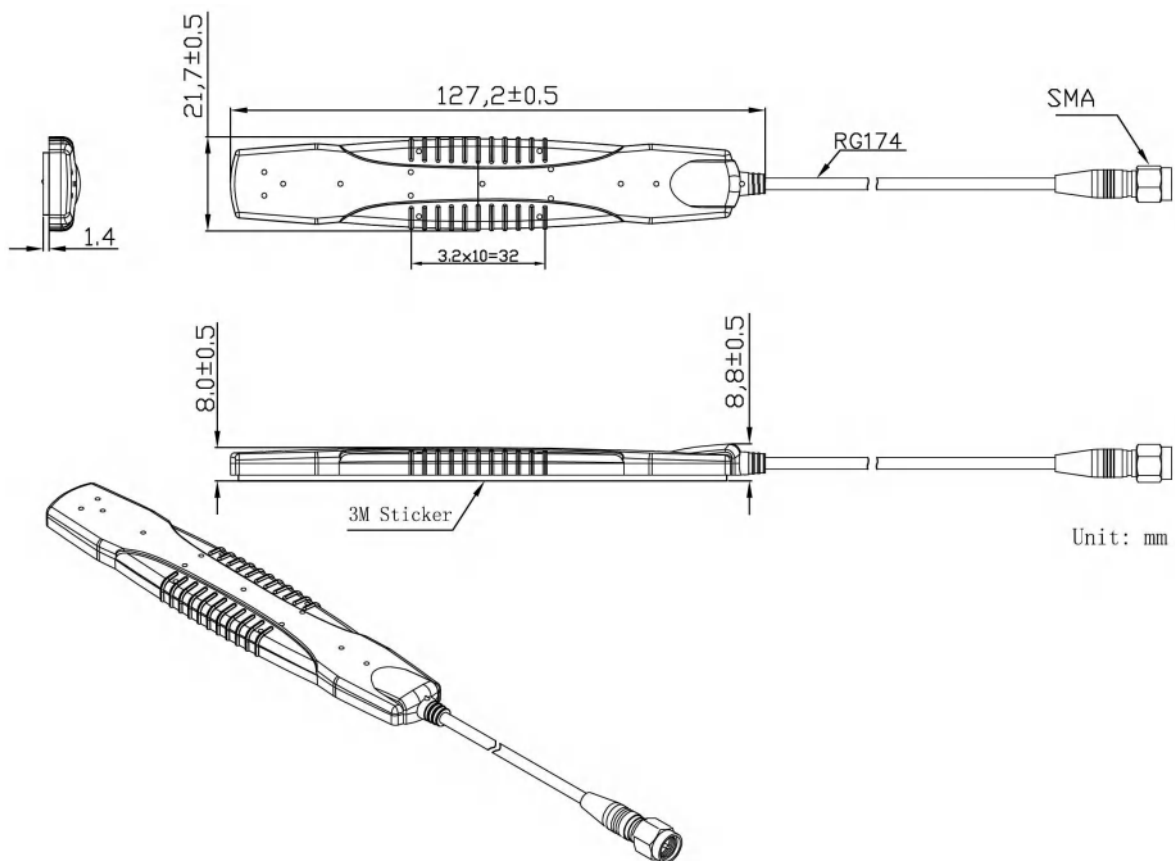


GSM Antenna JCG122



DIMENSIONS



SPECIFICATIONS

Item	Specifications	
Antenna	Frequency Range	698~960/1710~2170MHz
	Polarization	Linear
	Gain	2.0dBi (Zenith)
	V.S.W.R (min)	<2.0
	Impedance	50 Ω
	PCB Dimension	104*15*1mm
Mechanical	Cable	RG174
	Connector	SMA or others
	Radome Material	PVC
	Mounting Method	Adhesive
Environmental	Operating Temperature	-40°C~+85°C
	Relative Humidity	Up to 95%
	Vibration	10 to 55Hz with 1.5mm amplitude 2hours
	Environmentally Friendly	ROHS Compliant

Radiation Pattern

