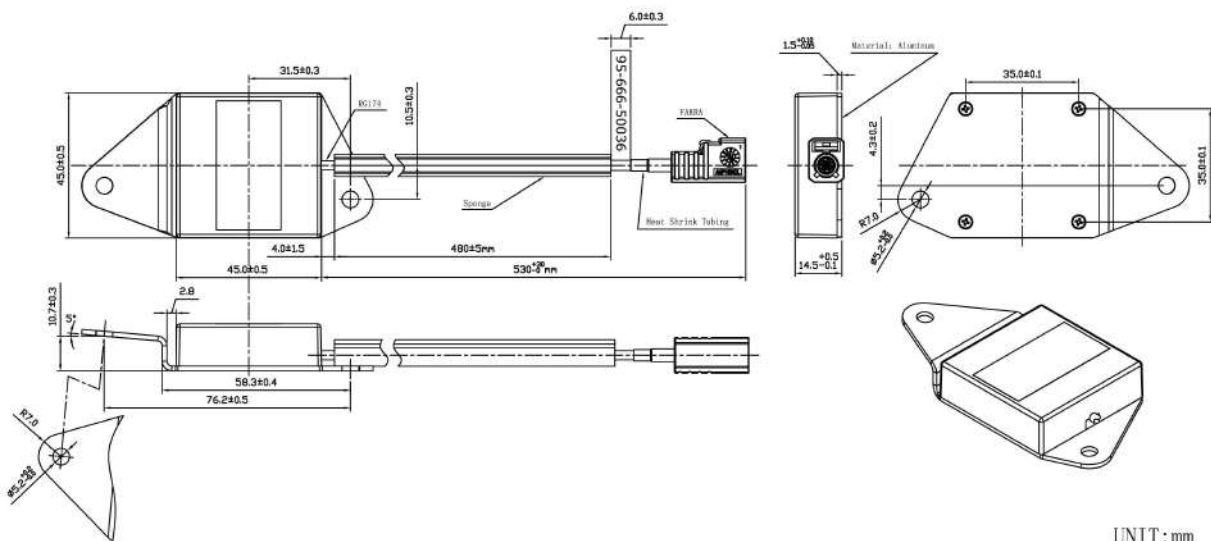


Bluetooth Antenna JCW419



DIMENSIONS



SPECIFICATIONS

Item		Specifications
Antenna	Frequency Range	2400~2485MHz
	Band Width	85MHz
	Polarization	RHCP
	Gain	≥ 0 dB (Zenith)
	V.S.W.R	< 2.0
	Impedance	50 Ω
	Dimension	25*25*4mm
Electrical	Resistance	51k Ω
Mechanical	Cable	RG174
	Connector	FAKRA or others
	Radome Material	ABS
	Mounting Method	Magnet/Adhesive
Environmental	Operating Temperature	-40°C~+85°C
	Relative Humidity	Up to 95%
	Ingress Protection	IP67
	Vibration	10 to 55Hz with 1.5mm amplitude 2hours
	Environmentally Friendly	ROHS Compliant