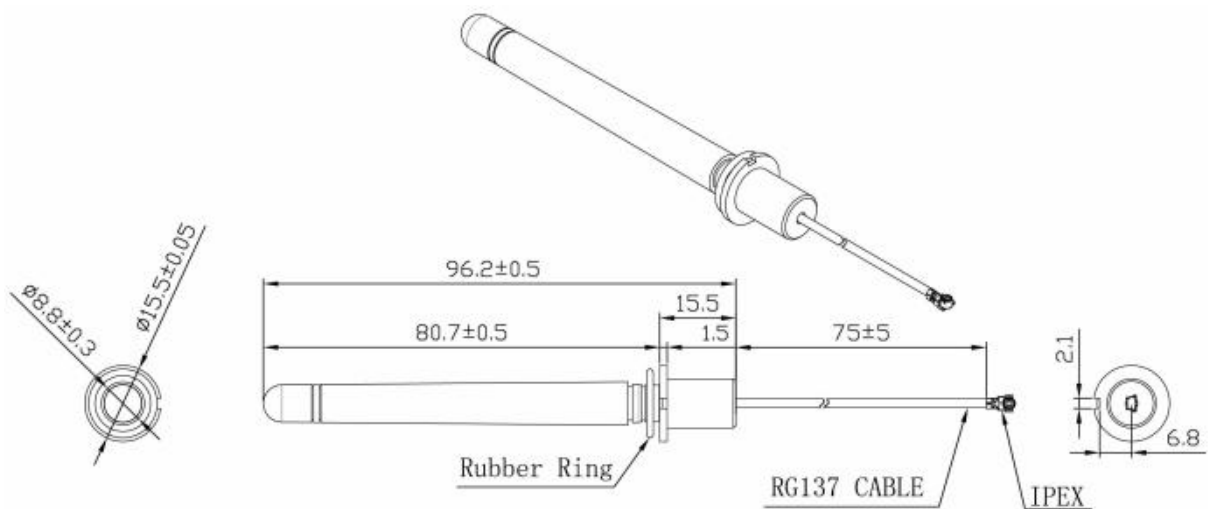


915MHz Antenna

JCG110-2



DIMENSIONS



Unit: mm

SPECIFICATIONS

Item	Specifications	
Antenna	Frequency Range	902~928MHz
	Polarization	Linear
	Gain	2dBi (Zenith)
	V.S.W.R (min)	<2.0
	Impedance	50 Ω
Mechanical	Cable	RF1.37
	Connector	IPEX or others
	Mounting Method	Embedded
Environmental	Operating Temperature	-40°C~+85°C
	Relative Humidity	Up to 95%
	Vibration	10 to 55Hz with 1.5mm amplitude 2hours
	Environmentally Friendly	ROHS Compliant

Radiation Pattern

