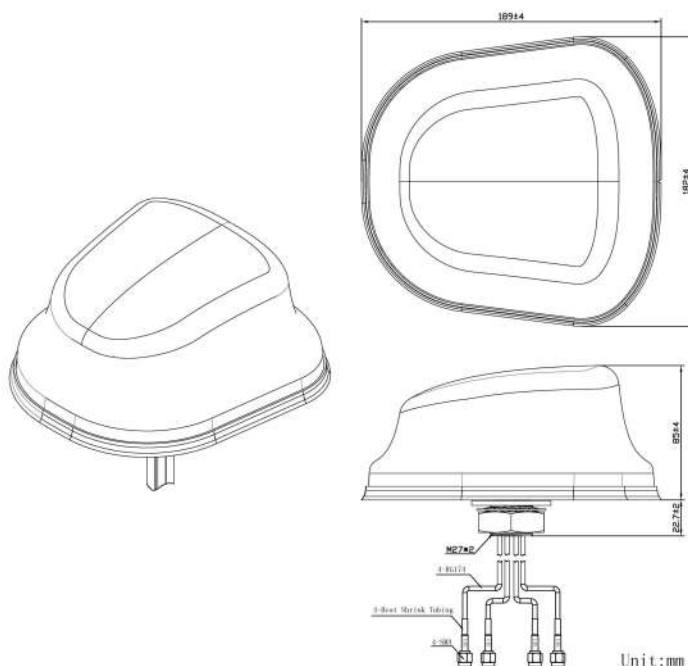


# LTE MIMO Combination Antenna JCG605LM4



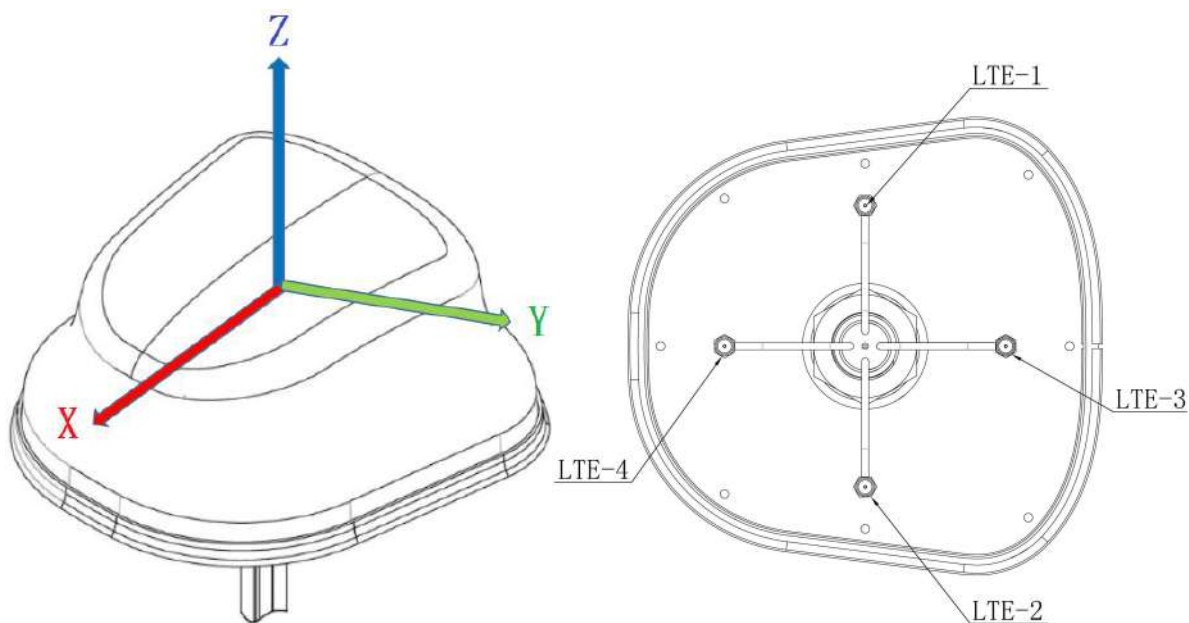
## DIMENSIONS



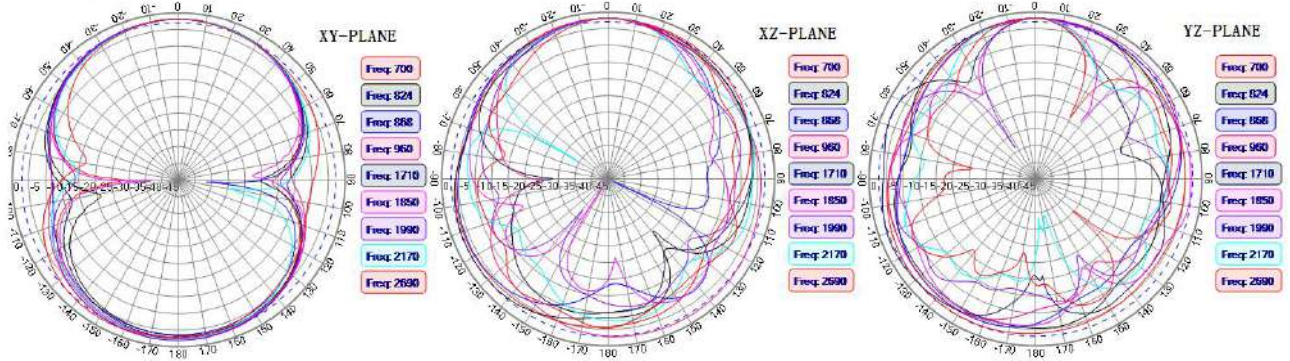
## SPECIFICATIONS

Item	Specifications	
Antenna*4	Frequency Range	LTE-1&2:698~960MHz/1710~2690MHz/2900~3800MHz LTE-3&4:698~960MHz/1710~2690MHz
	V.S.W.R	<3.0
	Polarization	Linear
	Gain	3.5dBi (Zenith)
	Impedance	50Ω
Mechanical	Cable	RG174 or others
	Connector	SMA/FAKRA or others
	Material	ABS
	Mounting Method	Adhesive/Magnet
Environmental	Operating Temperature	-40°C~+85°C
	Relative Humidity	Up to 95%
	Ingress Protection	IP67(exclude cable outlet)
	Vibration	10 to 55Hz with 1.5mm amplitude 2hours
	Environmentally Friendly	ROHS Compliant

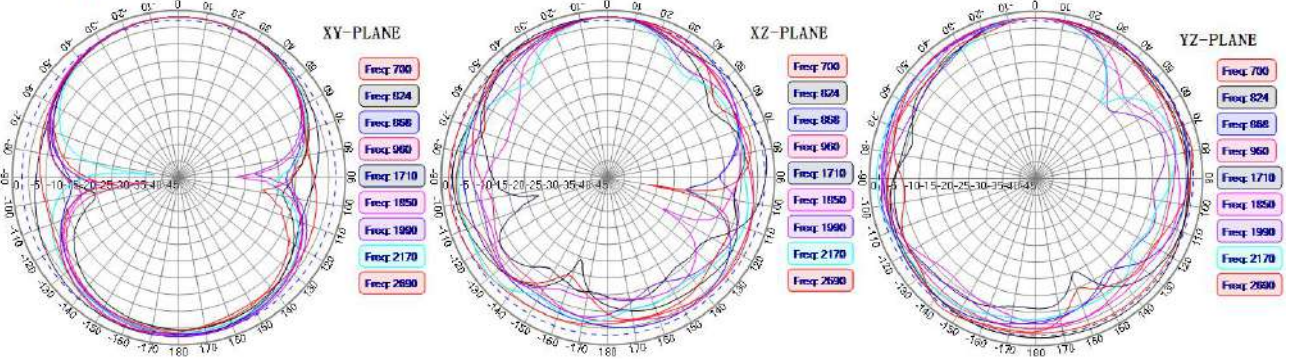
## Radiation Pattern



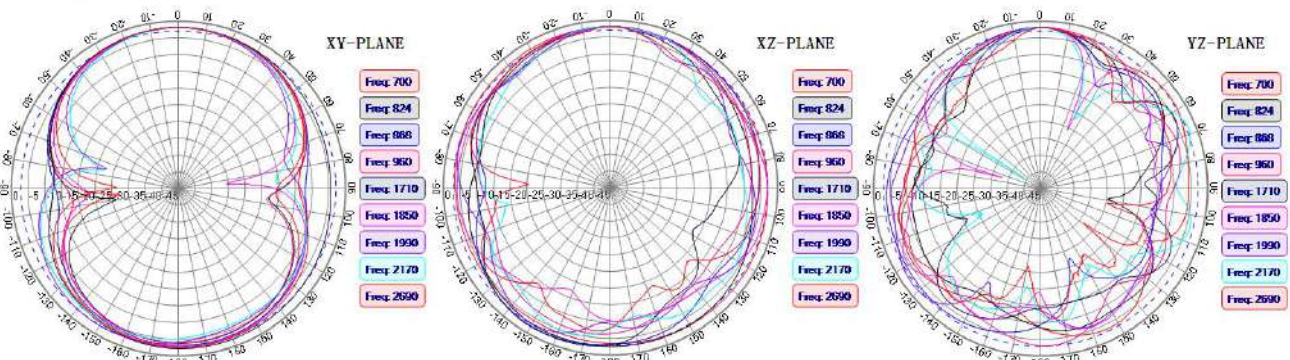
**LTE -1**



**LTE -2**



**LTE -3**



**LTE -4**

