

## FZ Chip type, Guaranteed at 105°C 5000 hours Series

Hi-CAP



- Series has long life time than the FA Series
- Suitable for use in flat panel TV set and the others industrial equipments, etc
- Complied to the RoHS directive

FA → FZ  
Long life

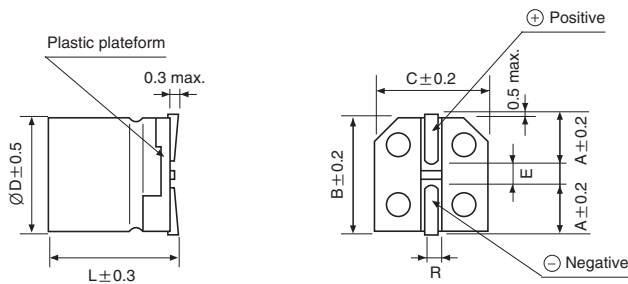
Item	Characteristics	
Operating temperature range	-55 ~ +105°C	
Leakage current max.*	Less than or equal to the value of Table1	
Capacitance tolerance	±20% at 120Hz, 20°C	
Dissipation factor max.	Less than or equal to the value of Table1	
ESR	Less than or equal to the value of Table1	
Temperature characteristics (Impedance ratio at 100kHz)	Z-55°C / Z+20°C	Z+105°C / Z+20°C
	0.75 ~ 1.25	0.75 ~ 1.25
Load life (after application of the rated voltage for 5000 hours at 105°C)	Leakage current	Less than specified value
	Capacitance change	Within ±20% of initial value
	ESR	Less than 200% of specified value
	tanδ	Less than 200% of specified value
Resistance to soldering heat (Refer to page 37 for soldering recommendation)	Leakage current	Less than specified value
	Capacitance change	Within ±10% of initial value
	tanδ	Less than 130% of specified value

\* In case of some problems for measured values, measure after applying rated voltage for 4 to 20V products or 20V derating voltage for 25V products for 120 minutes at 105°C.

### DRAWING

Unit : mm

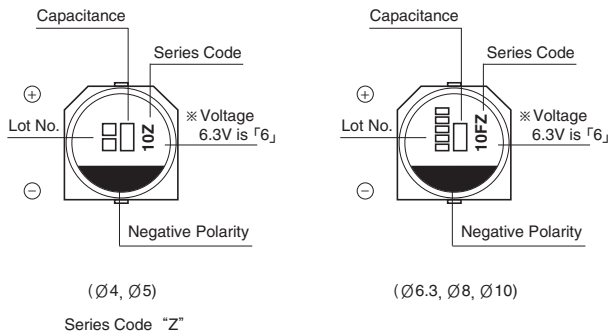
< Dimensions >



### PART NUMBER SYSTEM (See Page 52)

Size	ØD	L	B	C	E	A	R
4×5.4	4	5.4	4.3	4.3	1.0	1.9	0.5~0.8
5×5.9	5	5.9	5.3	5.3	1.4	2.2	0.5~0.8
6.3×5.9	6.3	5.9	6.6	6.6	2.2	2.45	0.5~0.8
8×6.9	8	6.9	8.3	8.3	3.2	2.9	0.5~0.8
10×7.9	10	7.9	10.3	10.3	4.6	3.2	0.8~1.1

< Marking >



# CONDUCTIVE POLYMER ALUMINUM ELECTROLYTIC CAPACITORS

## FZ Series

● Table 1. FZ(SMD type) Series Characteristics List

WV	$\mu$ F	$\varnothing$ D(mm)	L(mm)	ESR(m $\Omega$ )max. 100~300kHz	Ripple current (mA rms)at 105°C 100kHz	Dissipation factor 120Hz	Leakage Current ( $\mu$ A)(max.) after 2 minutes
4	33	4	5.4	200	740	0.15	66
4	68	5	5.9	30	1970	0.12	300
4	150	6.3	5.9	22	2570	0.12	300
4	270	8	6.9	22	3220	0.12	500
4	680	10	7.9	20	4130	0.12	544
6.3	22	4	5.4	200	740	0.12	69.3
6.3	47	5	5.9	30	1970	0.12	300
6.3	120	6.3	5.9	22	2570	0.12	300
6.3	220	8	6.9	22	3220	0.12	500
6.3	470	10	7.9	20	4130	0.12	592
10	10	4	5.4	220	700	0.1	50
10	15	4	5.4	200	740	0.1	75
10	33	5	5.9	70	1100	0.12	165
10	68	6.3	5.9	30	2200	0.12	300
10	150	8	6.9	30	2760	0.12	500
10	150	10	7.9	30	3020	0.12	300
10	330	10	7.9	24	3770	0.12	660
16	22	5	5.9	90	1060	0.1	176
16	39	6.3	5.9	24	2460	0.12	300
16	82	8	6.9	30	2760	0.12	262
16	100	10	7.9	35	2670	0.12	320
16	180	10	7.9	29	3430	0.12	576
20	22	6.3	5.9	60	1450	0.1	88
20	47	8	6.9	45	1890	0.12	188
25	10	8	6.9	60	1500	0.1	125

● FREQUENCY COEFFICIENT OF PERMISSIBLE RIPPLE CURRENT

Frequency	120Hz	1kHz	10kHz	100~500kHz
Coefficient	0.05	0.3	0.7	1