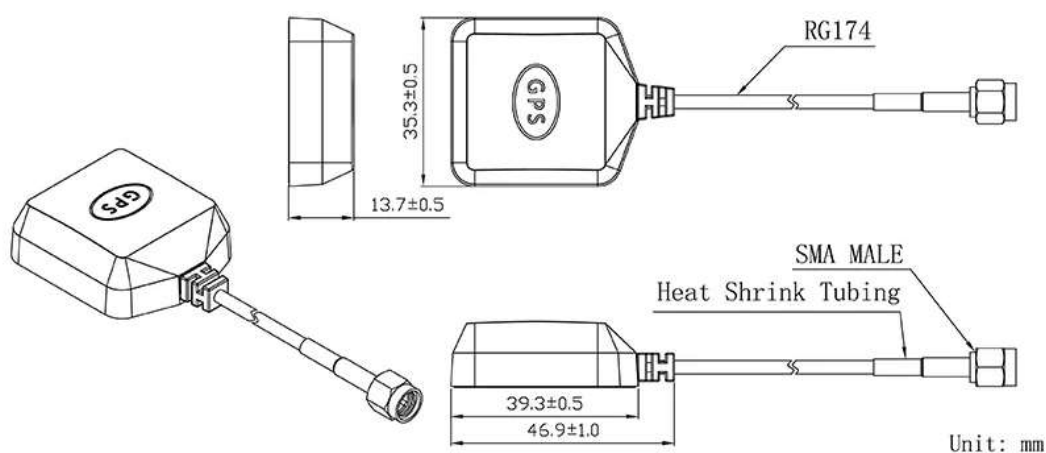


# JCA043 GPS Passive Antenna



## DIMENSIONS



## SPECIFICATIONS

Item		Specifications
Antenna	Center Frequency	1575.42±3MHz
	Band Width	CF±5MHz
	Polarization	RHCP
	Gain	3dBic (Zenith)
	V.S.W.R	< 1.5
	Impedance	50Ω
	Dimension	25*25*4mm
Mechanical	Cable	RG174
	Connector	SMA/MCX/FAKRA or others
	Radome Material	ABS
	Mounting Method	Magnet/Adhesive
Environmental	Operating Temperature	-40°C~+85°C
	Relative Humidity	Up to 95%
	Vibration	10 to 55Hz with 1.5mm amplitude 2hours
	Environmentally Friendly	ROHS Compliant