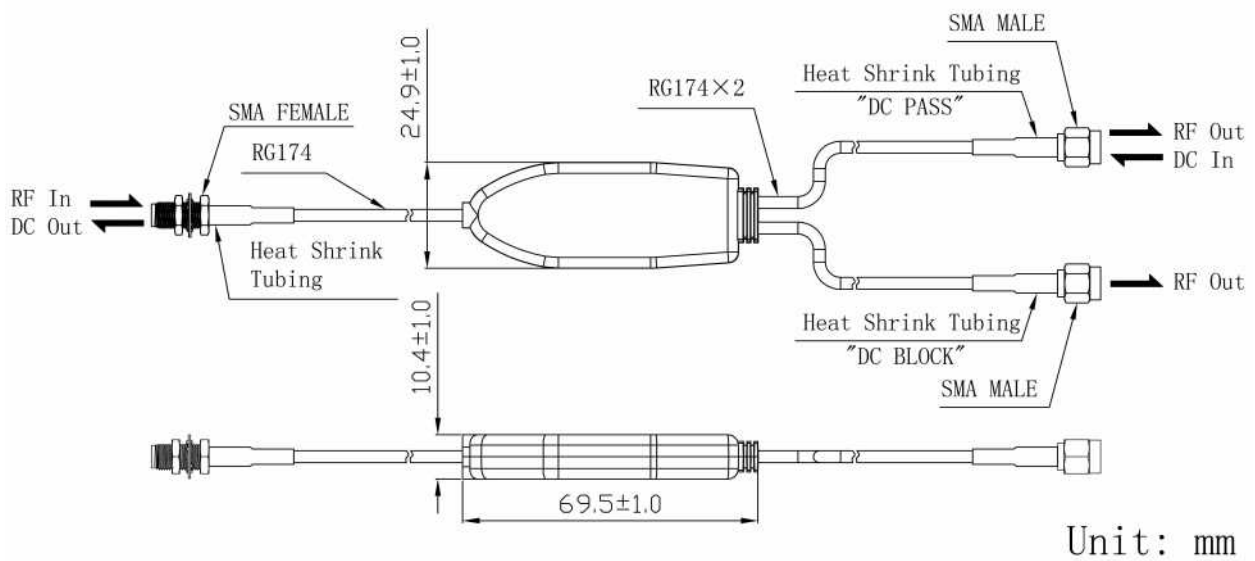


GNSS Signal Splitter JCS714



DIMENSIONS





SPECIFICATIONS

Item		Specifications
Splitter	Frequency Range	1535~1616MHz
	Wave Band	GPS L1/COMPASS B1/GLONASS G1
	Impedance	50 Ω
	Insertion Loss	<1.5dB
	Isolation Value	≥ 15 dB
	V.S.W.R	<1.5
	Withstand Voltage	18V DC Max
	Withstand Current	100mA Max
Mechanical	Cable	RG174 Insertion Loss ≈ 1.2 dB/m@1575MHz
	Connector	SMA or others
	Plastic Housing	ABS
Environmental	Operating Temperature	-40°C~+85°C
	Relative Humidity	Up to 75%
	Vibration	10 to 55Hz with 1.5mm amplitude 2hours
	Environmentally Friendly	ROHS Compliant