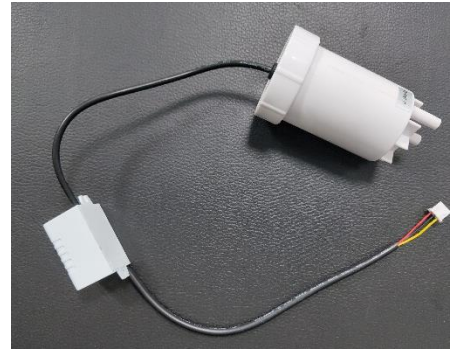


UV module Solution

Pre-specification



Product Brief

Description

- CMW-ETC-RE9B is UV-C(270nm~280nm) LED applied Product.
- This Product is suitably designed for Water Sterilization

Features and Benefits

- Single Wavelength for UVC Module
- Eco-friendly
- Energy Saving
- RoHs Compliant

Key Applications

- Water Disinfection
- Sterilizer

Table 1. Product

Model	Weight(g)	VIN	LPM	Wp [nm]		Remark
				Min	Max	
CMW-ETC-RE9B with feedback	130±10g	DC24V	2-3	270	280	Constant current driver inside

* Above data base on DC Power Supply(Not SMPS)

Refer to the below test condition.

- Operating input current (Constant Current) : 150[mA]/LED (WICOP)

Table of Contents

Index	
• Product Brief	
• Table of Contents	
• Performance Characteristics	
• Part List	
• Mechanical Dimension	
• Marking Information	
• Label Information	
• Packing	
• Precaution for Use	

Performance Characteristics

Table 2. Electro Optical Characteristics constant voltage 24V

 (T_w=25°C, 2-3LPM)

Parameter	Symbol	Value			Unit
		Min.	Typ.	Max.	
Peak wavelength ^[1]	λ_p	270	275	280	nm
Power Consumption	P	8.5	9.5	10	W
Input Current	I	360	380	400	mA
Flow Rate	LPM	2		3	LPM
Spectrum Half Width	$\Delta\lambda$		10		nm
Weight	g		130±10		g

Notes :

- (1) T_w: Water temperature
- (2) Peak Wavelength Measurement tolerance : ±5nm
- (3) All measurements were made under the standardized environment of Seoul Viosys

Table 3. Absolute Maximum Ratings

Parameter	Symbol	Unit	Value
Operating Temperature	T _{opr}	°C	-20 ~ +40
Water Temperature	T _w	°C	0 ~ +40
Storage Temperature	T _{stg}	°C	-30 ~ +60

Part list

Table 4. Part List
Unit : mm

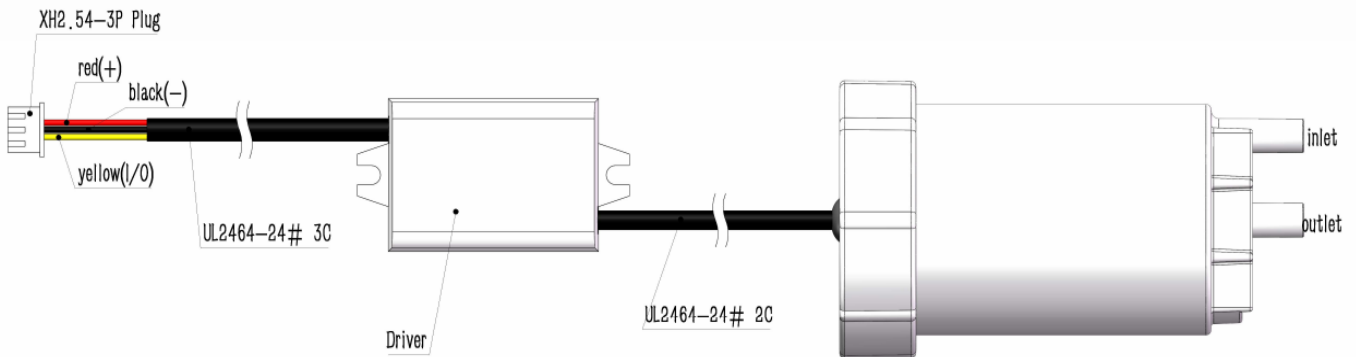
No	Model	Item Specification	Quantity
1	CMW-ETC-RE9B	Main Body (Material : PC)	1
		Heat Sink (Material : SUS304)	1
		Inner Body (Material :PTFE)	1
		Inner Reflector (Material :PTFE)	1
		Quartz Glass	2
		Quartz Rubber (Material : Silicone)	1
		Silicone Ring	2
		LED PCB ASS'Y	1
		Driver PCB ASS'Y	1
		External Driver	1
		Wire	1

Marking Information

Table 5. Dimensions

Unit : mm

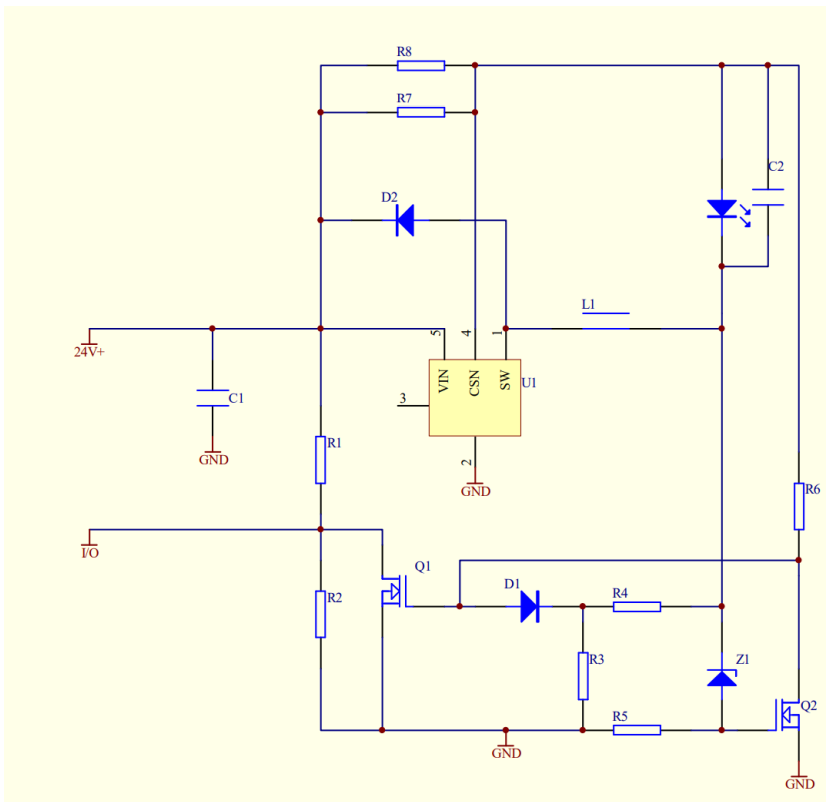
Tolerance: ±10%



When the LED circuit is open or short-circuited, it will feedback a voltage of 5V;

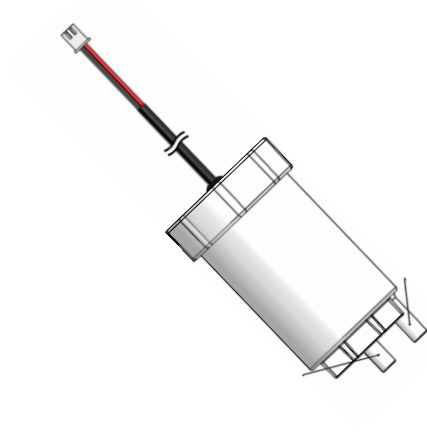
When the LED is normally light on, output a voltage of 0V.

Feedback Circuit



Marking Information [T B D]

Table 6. Marking



- Code specification
- Code size : 7.7mm x 2.7mm
- Code example : **BE14H20**
 - Y₁ (Year) : **B** (2018)
 - Y₂ (Month) : **E** (05)
 - Y₃ (Day) : **14** (14)
 - Y₄ (Serial Number) : **0001**

※ Product code numbering

Code	Description	Part Number	Value
Y ₁	Production data	Year	-
Y ₂		Month	-
Y ₃		Day	-
Y ₄		Serial Number	-

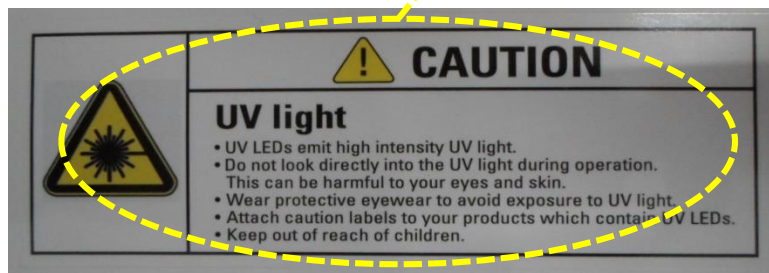
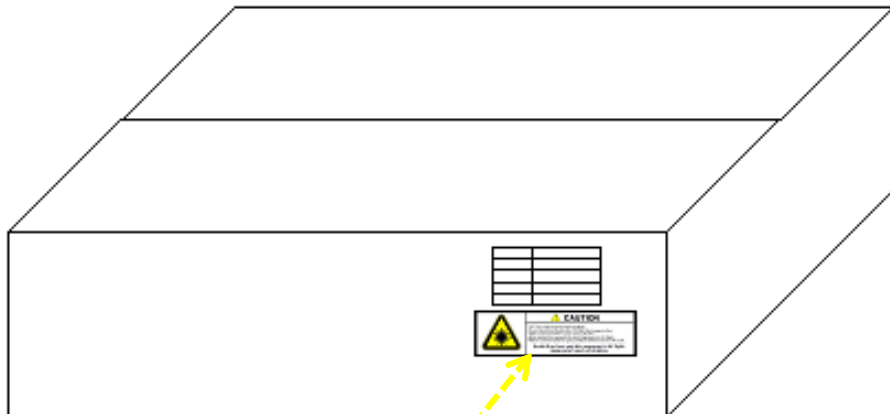
※ Information of Notation Point

Label Information

Product	CMW-ETC-RE9B
Code	-
Quantity	- EA
Box No	/
LOT No	YYYY.MM.DD
REMARK	SEOUL VIOSYS CO.,LTD

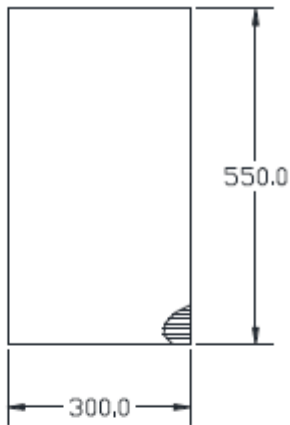
Size : 100 x45mm

* Labeling



Packing [T B D]

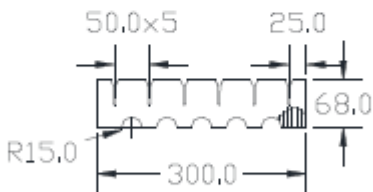
1. PAPER SPACER



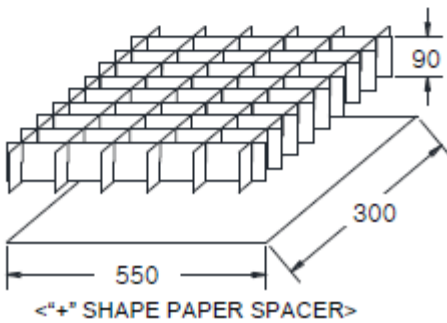
2. "+" SHAPE PAPER SPACER



<"A" PAPER SPACER>

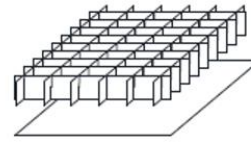


<"B" PAPER SPACER>



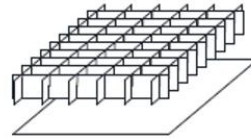
- Put into the "+" paper space
- 1st layer has 50 pcs
- 2nd layer has 50 pcs
- Total 100 pcs in 1ea box

3. Box information & Packing

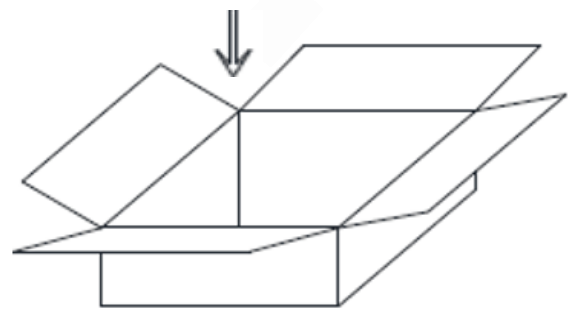


1 layer (50 PCS)

+

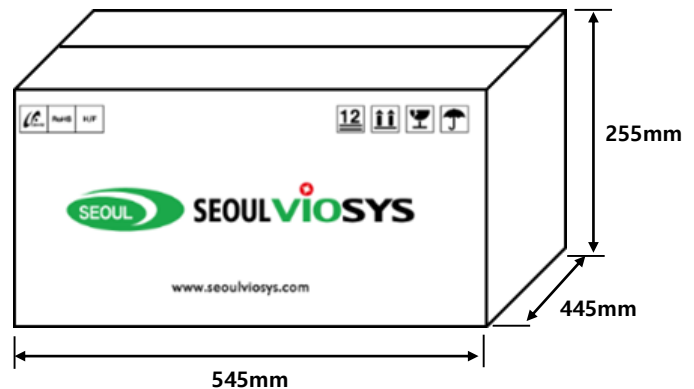


1 layer (50 PCS)



- BOX Size : 545*445*225mm

2 stage in a box



- If it is not a full box, apply the buffer material to fix the product

Precaution for Use

1) Handling Precautions

- Do not use inflammable material nearby the products.
- Do not touch the products with wet hand.
- Do not fix or remodel the products.
- Do not drop the machine, or give strong impact on the products.

2) Safety for eyes and skin

- The Products emit high intensity ultraviolet light which can make your eyes and skin harmful, So do not look directly into the UV light and wear protective equipment during operation.

3) Others

- Be sure to turn On / Off after module is connected.
When connecting the module in the power on state, LED can be damaged by the influence of the inrush voltage / current.
- Please handle using equipment that prevents static electricity.
- Do not touch unless ESD protection is used.
- **Do not connect to electricity without water flow for 10 seconds or more.**
- grounding and keeping appropriate humidity are necessary for work environment.