

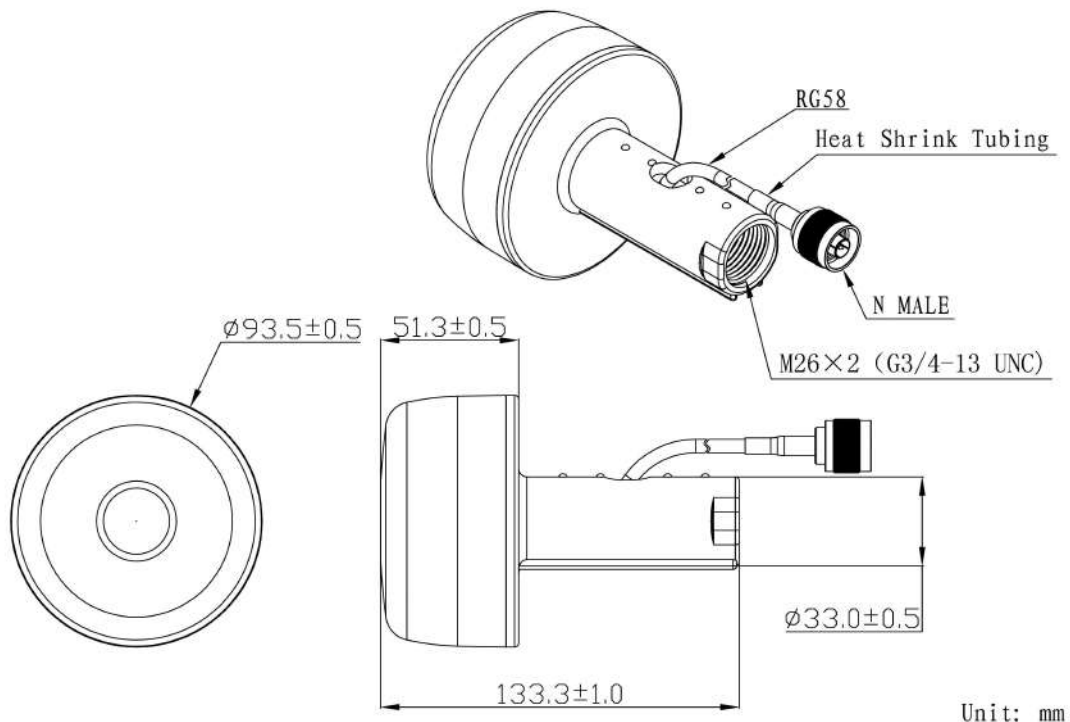
GPS Signal Repeater JCR001

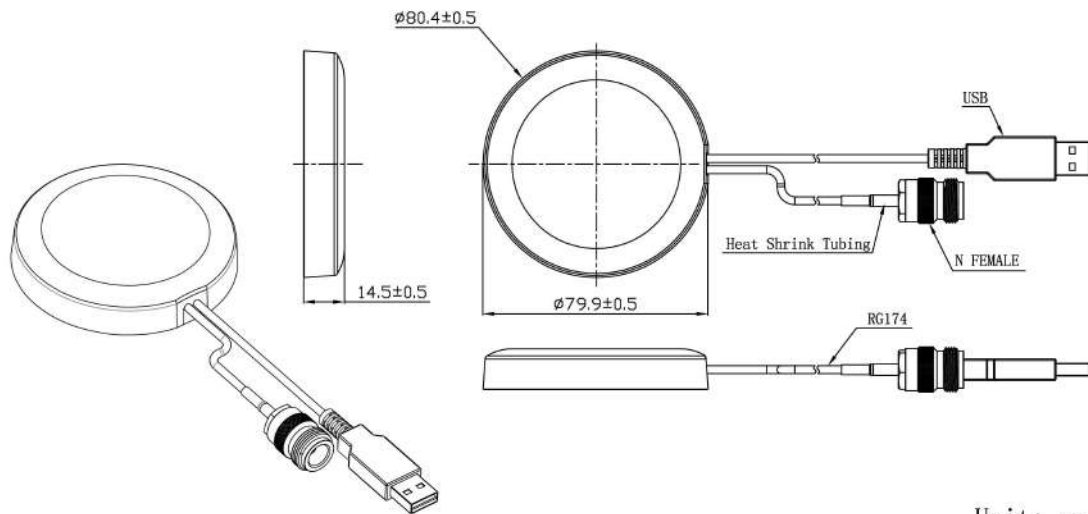


Receiver Antenna

Transmitter Antenna

DIMENSIONS





Unit: mm

SPECIFICATIONS

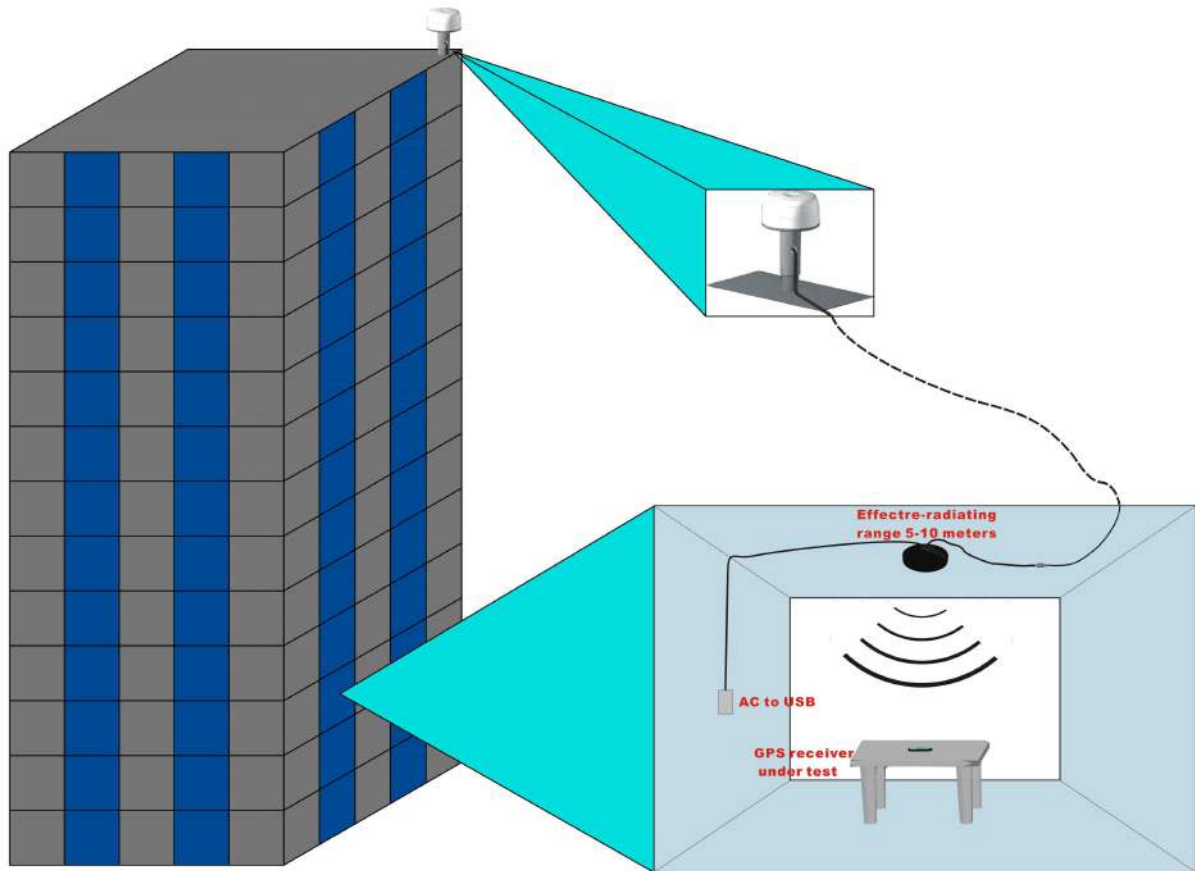
Item	Specifications	
Receiver Antenna	Center Frequency	$1575.42 \pm 3\text{MHz}$
	Band Width	$\text{CF} \pm 10\text{MHz}$
	Polarization	RHCP
	Impedance	50Ω
	Axial Ratio	3dB (max)
	Antenna Gain	5dBic (Zenith)
	Antenna V.S.W.R	< 1.5
	LNA Gain	$38 \pm 2\text{dB}$
	LNA Noise Figure	$< 1.5\text{dB}$
	LNA V.S.W.R	< 2.0
	Filter Insertion Loss	$< 3\text{dB}$
	Ex-band Attenuation	$12\text{dB}@CF+50\text{MHz}/16\text{dB}@CF-50\text{MHz}$



Jinchang Electron Global Service

Transmitter Antenna	Center Frequency	1575.42 ± 3MHz
	Band Width	CF ± 10MHz
	Polarization	RHCP
	Impedance	50 Ω
	Axial Ratio	3dB (max)
	Antenna Gain	4.5dBic (Zenith)
	Antenna V.S.W.R	<1.5
	LNA Gain	40 ± 2dB
	LNA Noise Figure	<2.0dB
	LNA V.S.W.R	<2.0
	Supply Voltage	5v DC (USB)
	Current Consumption	<100mA
	Signal Coverage	20meters 150degrees
Mechanical	Cable	SYV-50-5/RG58/RG174
	Connector	N(couple) or others
	Radome Material	ABS
	Mounting Method	Screw/Magnet
Environmental	Operating Temperature	-40°C~+85°C
	Relative Humidity	Up to 95%
	Ingress Protection	IP67 (Receiver Antenna)
	Vibration	10 to 55Hz with 1.5mm amplitude 2hours

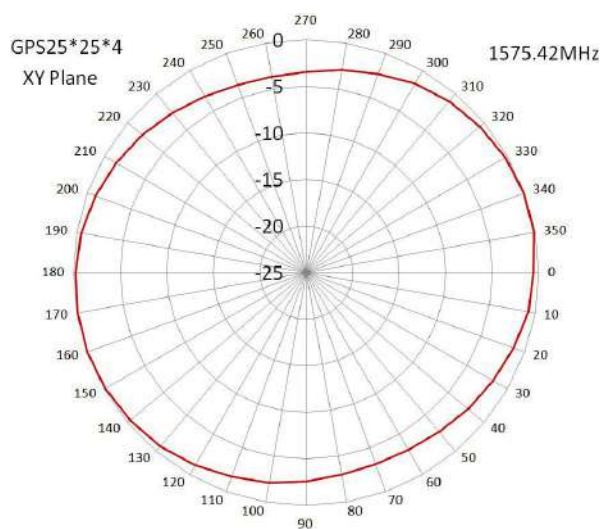
Interconnection Diagram

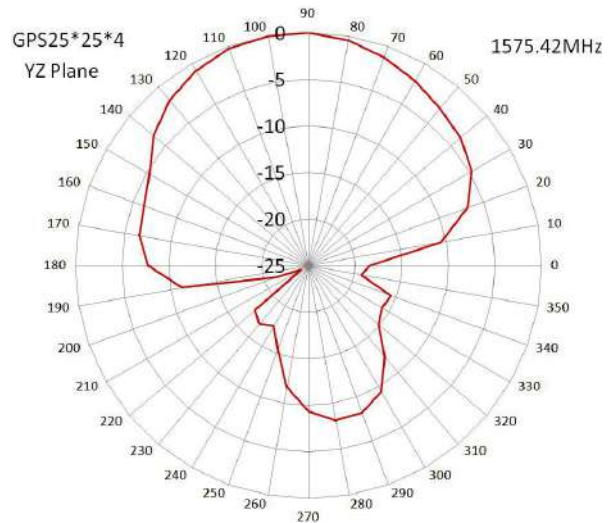
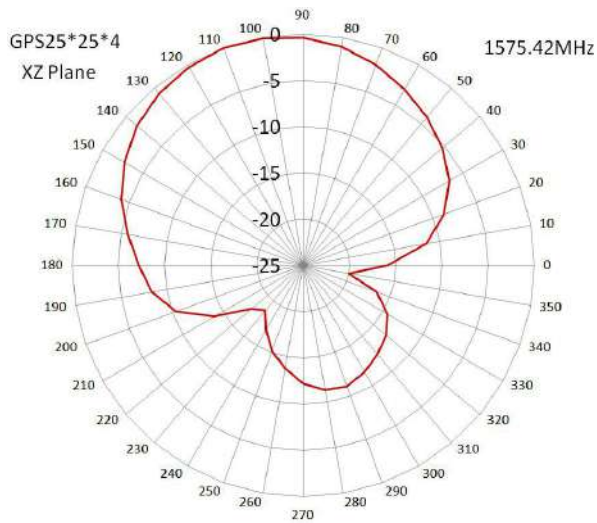


Caution: The transmitter antenna should be directed back to the receiver antenna to avoid self excitation.

Radiation Pattern

Transmitter Antenna





Receiver Antenna

