



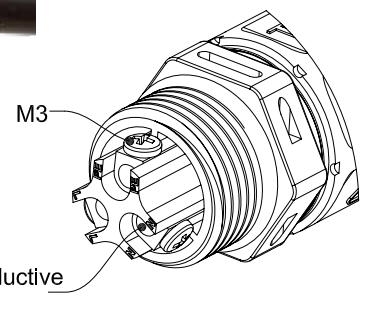
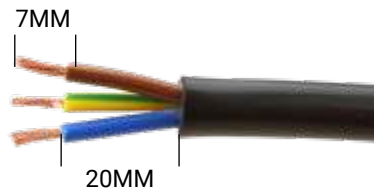
## WPI Series

### 3 Pin I Field Assembly Screw Connection Connector

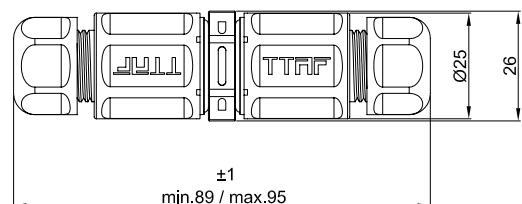
Product Code - WPI-0302M20

Waterproof Connector Series

EN 60309-1  
EN 60695-2  
EN 61984-2009



Number of Poles	3
Voltage Rating	250VAC max.
Current Rating	20A max.
Cable Cross Section Area	0,5mm <sup>2</sup> ~ 2.5mm <sup>2</sup>
Durability Voltage	1500VAC@60s.
Insulation Structure	500 MΩ at 500VDC
Contact Resistance	10 mΩ max.
Min Wire Size OD	6mm
Max Wire Size OD	10mm
Temperature Rating	-40°C ~ +85°C
IP Class	IP68 (10m / 60min)
Mold Material	PA6
Contact/Terminal Material	Nickel-Plated Brass
Seal Material	Silicon



today, tomorrow and forever...