

NACL200H2-S2/SP1R 电流传感器 Current Transducer

版本: A

产品说明

Applications

该磁平衡式霍尔电流传感器适用于对交流、直流和脉动电流的隔离精确测量，测量时一次侧与二次侧之间完全绝缘。

For the electronic measurement of currents: AC, DC IMPL.,etc.,with galvanic isolation between the primary (high power) and the secondary (electronic) circuits.

产品优点 Advantages	产品应用 Applications	参照标准 Standards
高精度 Excellent accuracy	交流变频器 AC variable-frequency drives	Q/ 268-2014
线性度好 Very good linearity	电池供电 Battery supplied applications	GB/T 25119-2010
低温漂 Low temperature drift	变流器/逆变器 converter /inverter	
宽频带 Wide frequency bandwidth	UPS/SVG	
快速响应 Optimized response time		

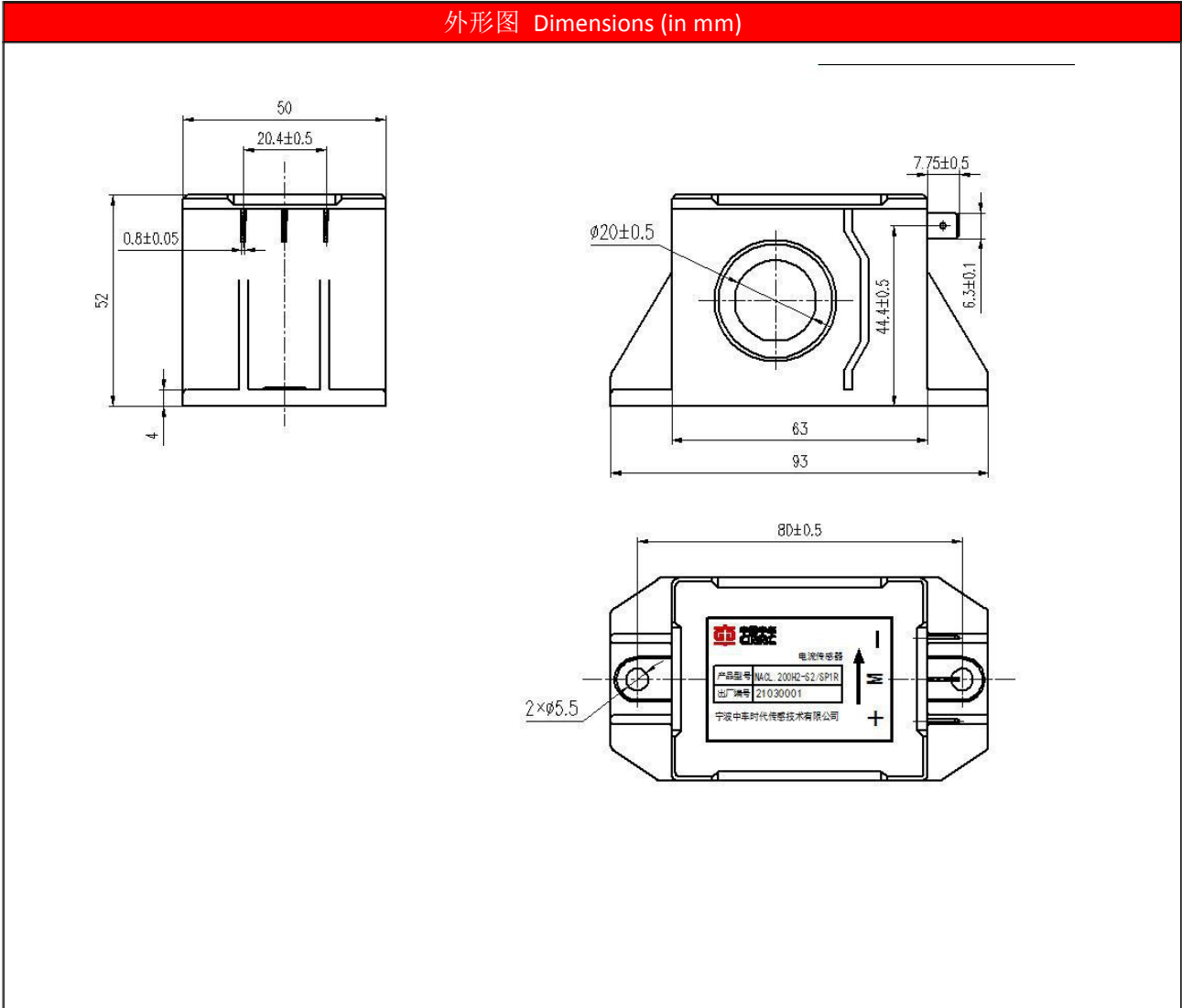
主要电气参数 Main electrical data		
额定测量电流 I_{PN}	Primary nominal current rms	200A
测量范围 I_P	Primary current measuring range	$\sim\pm 300A$
匝比	Conversion ratio	1:3000
电源电压 V_C	Supply voltage	$\pm 15V(1\pm 5\%)$
额定测量输出 I_{SN}	Secondary nominal current rms	66.67mA
二次侧电流消耗 I_C	Current consumption	$\leq 23mA + I_{SN}$
隔离耐压	Isolation test:Between the primary circuit to the secondary circuit	6 kVrms/50Hz/1min

精度 - 动态参数 Accuracy - Dynamic performance data		
基本误差 δ_i (@ I_{PN} , $T_A=25^\circ C$)	Overall Accuracy	$\leq \pm 0.5\%$
线性度误差 δ_L (@ I_{PN} , $T_A=25^\circ C$)	Linearity error	$< 0.1\%$
零点输出电流 I_O (@ $I_P=0$, $T_A=25^\circ C$)	Offset current	$\leq \pm 0.25mA$
零点温漂 I_{OT}	Thermal drift	$\leq \pm 0.7mA(-40^\circ C \sim +85^\circ C)$
响应时间 t_r	Response time to 90% of I_{PN} step	$\leq 1\mu s$
R_m	@ $\pm 15V$, $\pm 200A$: 10 ~60	@ $\pm 15V$, $\pm 300A$: 10

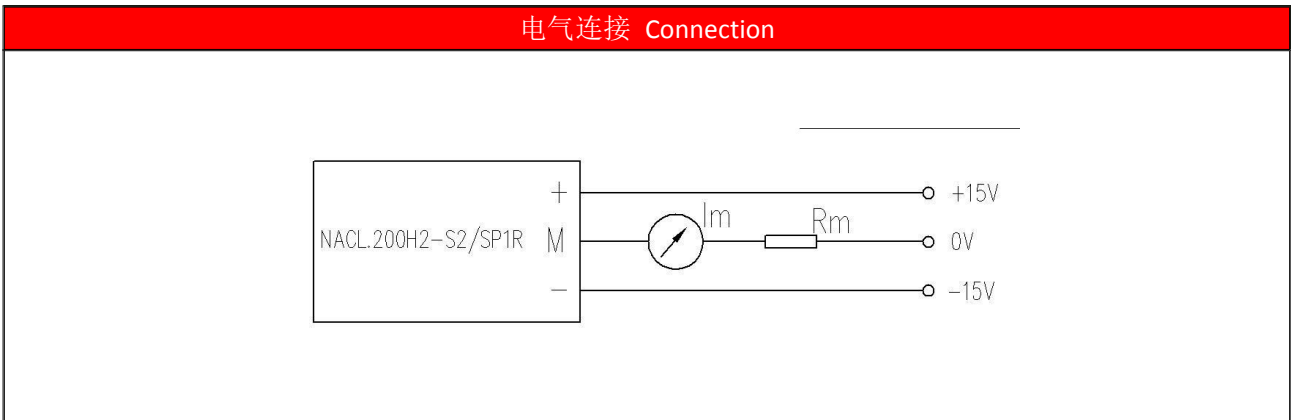
一般数据 General data

工作温度 Ta	Ambient operating temperature	-40℃~+85℃
储存温度 Ts	Ambient storage temperature	-45℃~+90℃
重量 m	Mass	≤350g

外形图 Dimensions (in mm)




电气连接 Connection



机械特征 Mechanical characteristics

备注 Remark

未注公差 General tolerance	$\pm 1 \text{ mm}$	1. 当测量电流方向与传感器上标示的  方向一致时，传感器输出 I_{SN} 为正。When measuring the current direction of arrow mark on direction and sensor, the sensor output I_{SN} is positive.
传感器安装方式(推荐) Transducer fastening (Recommended)	2holes $\varnothing 5.5 \text{ mm}$	3. 电量传感器安装螺钉孔的垂直度要求：要求在国家标准 8 级或以上（或 0.06 以下）。Power sensor mounting screw hole of the vertical degree requirements: requirements in the national standard grade 8 or above (or below 0.06).
推荐力矩 Recommended fastening torque	$3.5 \text{ N} \cdot \text{m}$	4. 电量传感器安装面平面度要求：Sensor mounting surface flatness requirements:
Electrical connection	$6.3\text{mm} \times 0.8\text{mm}$ plug faston	(a) 大平面安装平面度国家标准 11 级或以上（或平面起伏小于 0.25mm ）； Planeness national standard installation grade 11 or above (or surface fluctuation is less than 0.25 mm);
		(b) 安装面加有小圆凸台设计时平面度要求达国家标准 12 级或以上（或平面起伏小于 0.5mm ）； When mounting surface with a small round convex platform design flatness requirement of national standard grade 12 or more (or less than 0.5 mm) in plane ups and downs;