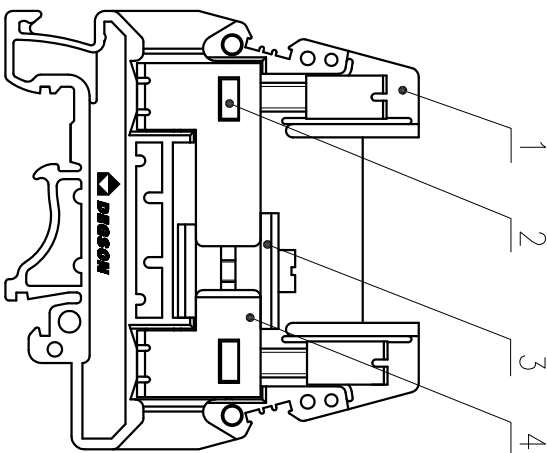
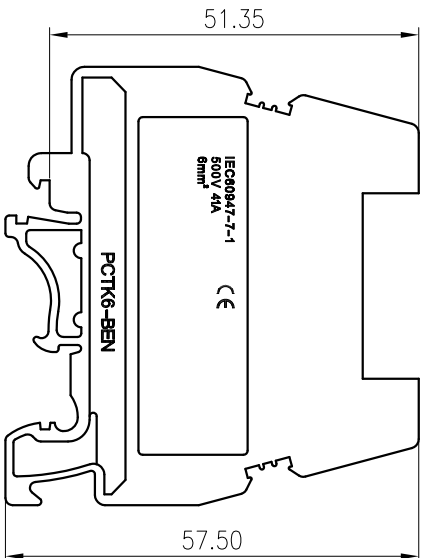
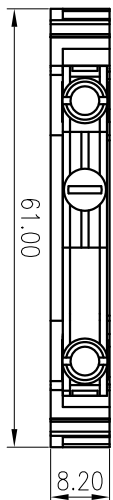


公差表/General tolerances(mm)	
0	>3
~	>6
~	>10
~	>18
3	~ 6
~	10
~	18
~	30
~	50
~	80
~	120
~	180
~	250
~	315
~	400
~	500
~	>500
±0.12	±0.18
±0.22	±0.28
±0.31	±0.37
±0.57	±0.80
±0.93	±1.05
±1.15	±1.60
±2.20	±2.50
±Z	



UL 标准/UL Standard:	B	C	D
额定电压/电压/Rated Voltage(V)/Current(A)	300/40	/	/
EC 标准/IEC Standard:			
过压类别/Overvoltage Category/污染等	III/3	/	/
级/Pollution Degree			
额定电压/电流/Rated Voltage(V)/Current(A)	500/41	/	/
额定脉冲电压(KV)/Rate Impulse Voltage(KV)	6.0	/	/
螺丝扭矩/Torque Tightening(N·m/Lb·in)	M4, 1.2/10.53		
线径范围(硬线和软线)/Wire Range(rigid and flexible)(mm²/AWG)	0.5~6/26~10		
间距/Pitch(mm)	8.20		
剥线长度/Stripping length(mm)	12-13		
使用温度范围/Operating temperature(°C)	-40~+105		
符合RoHS环保要求/Conform to RoHS	Yes		
标准颜色编号/Standard color number:			
PANTONE / RAL	/		

MATERIAL:

SURFACE:

MAT NO.:	/
STATUS:	/
APPD:	Li GL 2020.06.04
CHKD:	Mao J 2020.06.04
DRAFT:	Feng X 2020.05.27

DEGSON 宁波高松电子有限公司
NINGBO DEGSON ELECTRICAL CO., LTD

NAME: **PCTK6-BEN-01P-1Y-00A(H)**

ITEM	NAME OF PART	MATERIAL	NOTES
1	Housing	PA66	UL94V-0
2	Left Subassembly	Copper Alloy	Ni Plated
3	Contact Hardware	Copper Alloy	Ni Plated
4	Right Subassembly	Copper Alloy	Ni Plated

REV	EON	DESCRIPTION	DRAFT	DATE

SIZE: A4	SCALE: 1:1	TYPE: CUSTOMER DRAWING	REV	TO
1/1	1/1			