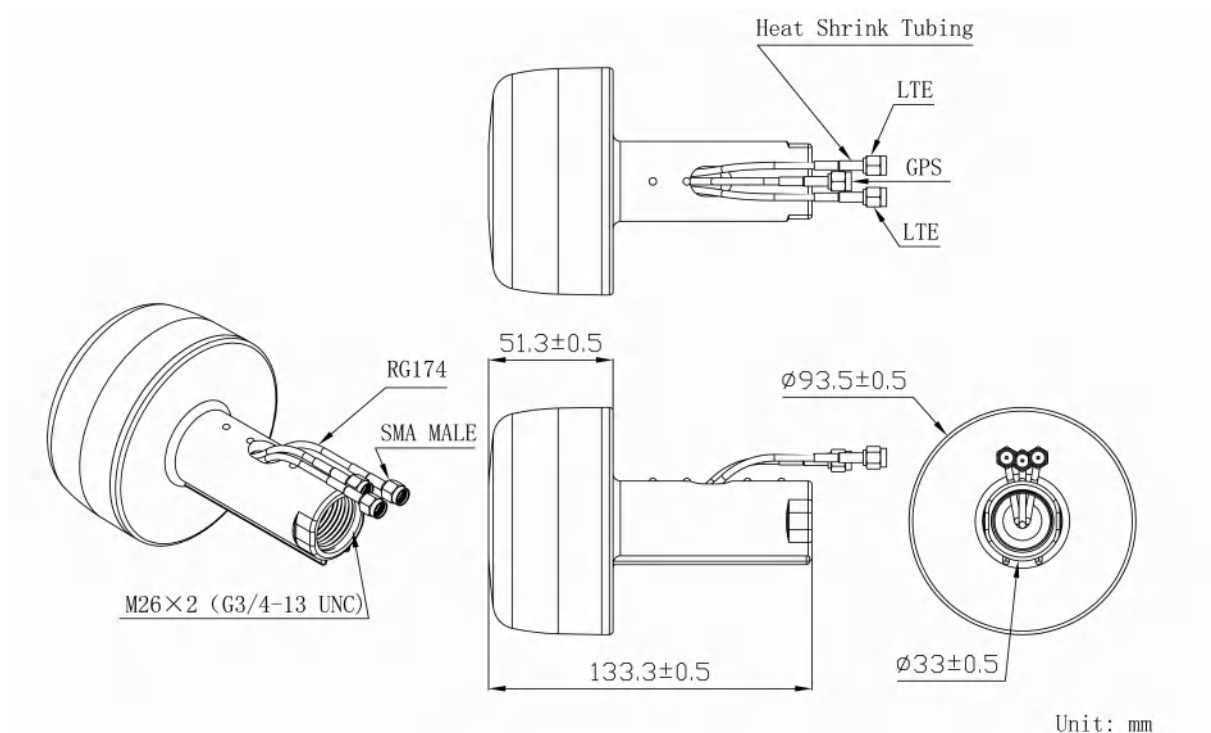


# GPS&COMPASS+LTE MIMO Antenna JCB005LM



## DIMENSIONS



## SPECIFICATIONS

Item	Specifications	
GPS Antenna	Frequency Range	1561.098~1575.42MHz
	Polarization	RHCP
	Impedance	50 Ω
	Axial Ratio	3dB (max)
	Dimension	25*25*4mm
	Gain	28±2dB
	Noise Figure	≤1.5dB
	Supply Voltage	2.2~5V DC
	Current Consumption	5~15mA
	V.S.W.R	<2.0
LTE Antenna MIMO1	Frequency Range	698~960MHz/1710~2690MHz
	V.S.W.R	<2.5
	Polarization	Linear
	Gain	3dBi
	Impedance	50Ω
LTE Antenna MIMO2	Frequency Range	698~960MHz/1710~2700MHz
	V.S.W.R	<2.5
	Polarization	Linear
	Gain	3dBi
	Impedance	50Ω
MIMO Antenna Isolation	Isolation	≥10dB (L≥3m)
Mechanical	Cable	RG174 or others
	Connector	SMA or others
	Radome Material	ABS
	Mounting Method	Screw
Environmental	Operating Temperature	-40°C~+85°C
	Relative Humidity	Up to 95%
	Ingress Protection	IP67 (exclude cable outlet)

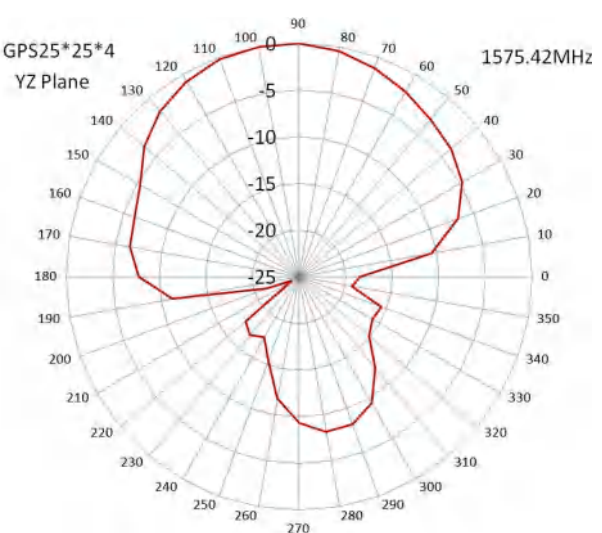
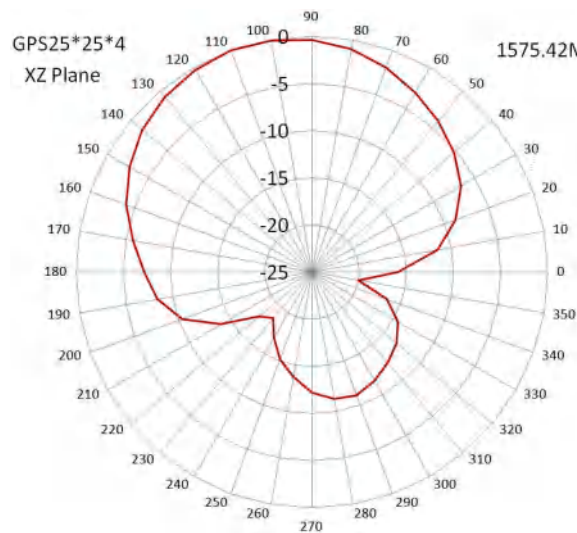
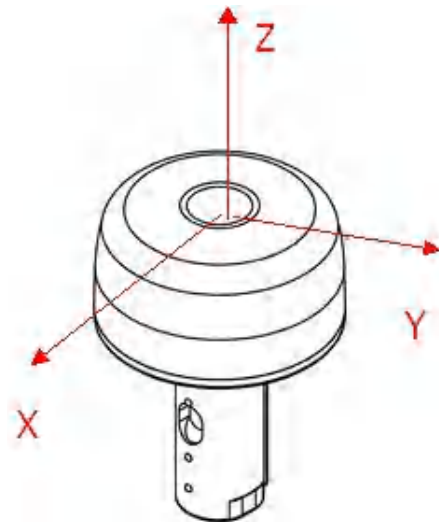
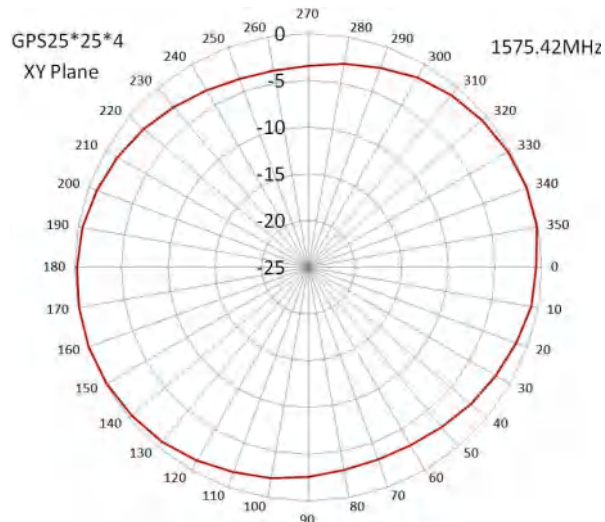


Jinchang Electron Global Service

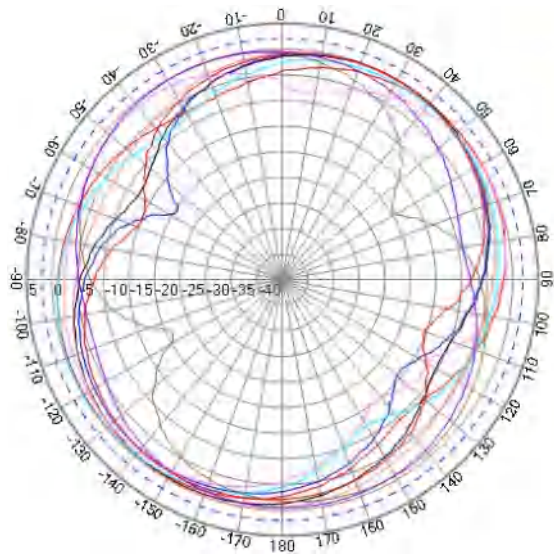
	Vibration	10 to 55Hz with 1.5mm amplitude 2hours
	Environmentally Friendly	ROHS Compliant

## Radiation Pattern

GPS Antenna

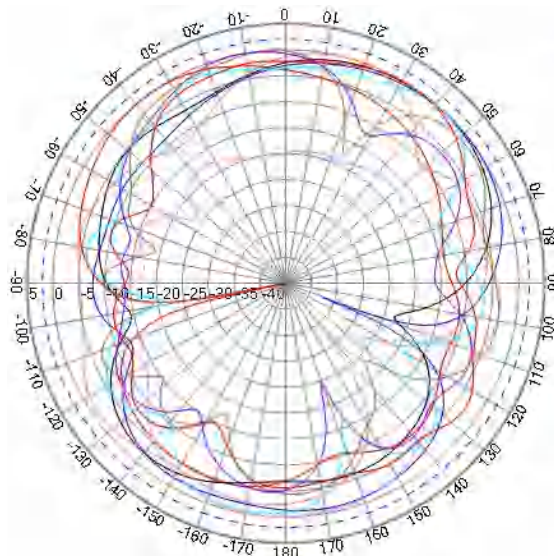


LTE Antenna



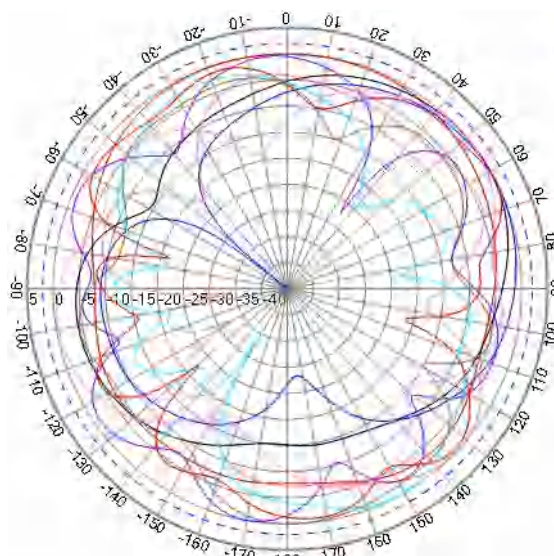
XY PLANE

- 测试频率: 700
- 测试频率: 824
- 测试频率: 868
- 测试频率: 960
- 测试频率: 1710
- 测试频率: 1850
- 测试频率: 1990
- 测试频率: 2170
- 测试频率: 2690



XZ PLANE

- 测试频率: 700
- 测试频率: 824
- 测试频率: 868
- 测试频率: 960
- 测试频率: 1710
- 测试频率: 1850
- 测试频率: 1990
- 测试频率: 2170
- 测试频率: 2690



YZ PLANE

- 测试频率: 700
- 测试频率: 824
- 测试频率: 868
- 测试频率: 960
- 测试频率: 1710
- 测试频率: 1850
- 测试频率: 1990
- 测试频率: 2170
- 测试频率: 2690