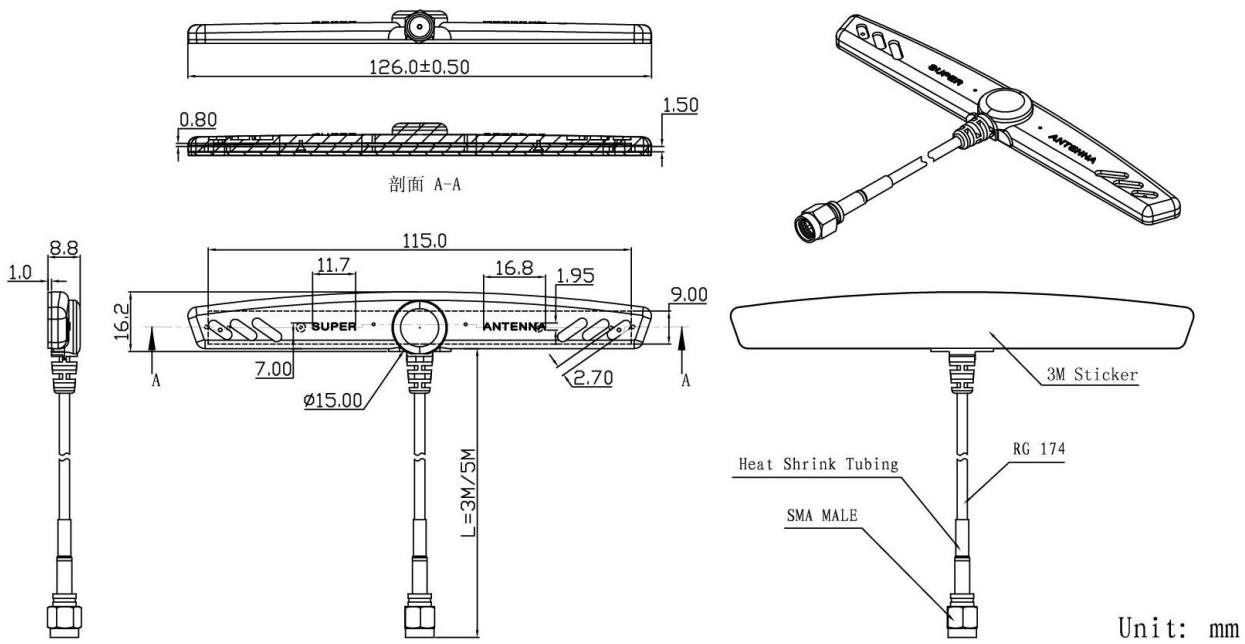


LTE Antenna

JCG108L



DIMENSIONS



SPECIFICATIONS

Item	Specifications	
Antenna	Frequency Range	698~960/1710~2655MHz
	Polarization	Linear
	Gain	2.0dBi (Zenith)
	V.S.W.R	<2.5
	Impedance	50 Ω
	PCB Dimension	115*9*0.8mm
Mechanical	Cable	RG174
	Connector	SMA or others
	Radome Material	EVA
	Mounting Method	Adhesive
Environmental	Operating Temperature	-40°C~+85°C
	Relative Humidity	Up to 95%
	Vibration	10 to 55Hz with 1.5mm amplitude 2hours
	Environmentally Friendly	ROHS Compliant

Radiation Pattern

