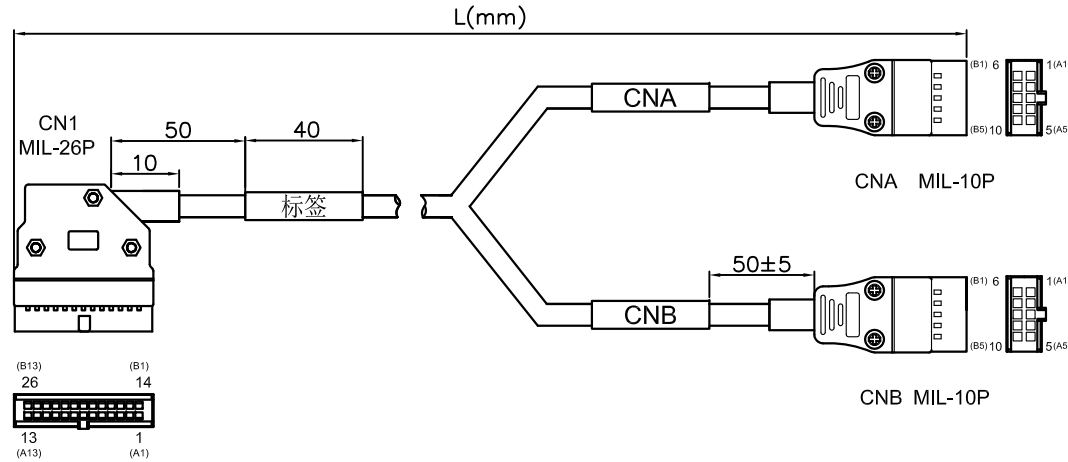
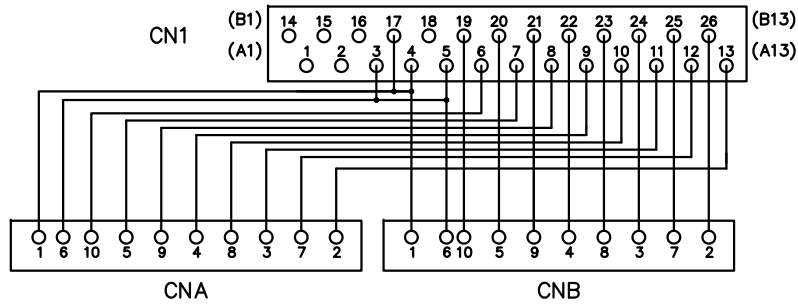


REVISION RECORD

REV	ECN	DESCRIPTION	DRFT	DATE
-----	-----	-------------	------	------



Wiring Diagram:



Specifications	
Rated voltage	30V
Rated current	0.7A
Insulation resistance	≥ 100MΩ
Withstand voltage	500V AC
Temperature range	-25°C~+85°C
Withstand vltage	/

NOTES

DETACHED LISTS	PART NO.:	宁波高松电子有限公司 NINGBO DEGSON ELECTRICAL CO., LTD		
	APPD:	NAME: DX211-4S-XX-00A(H)		
	CHKD:	TITLE: ASSEMBLY DRAWING		
	DRFT:	DRAWING NO.: 23000031	REV	1/1
	THIRD ANGLE PROJECTION		DO NOT SCALE DRAWING	SCALE: 1:1