

**TURLENS**

Optics & Reflector

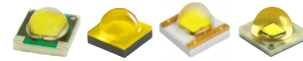
Turkey  
Made in



Datasheet

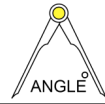


**LED** 1w Power

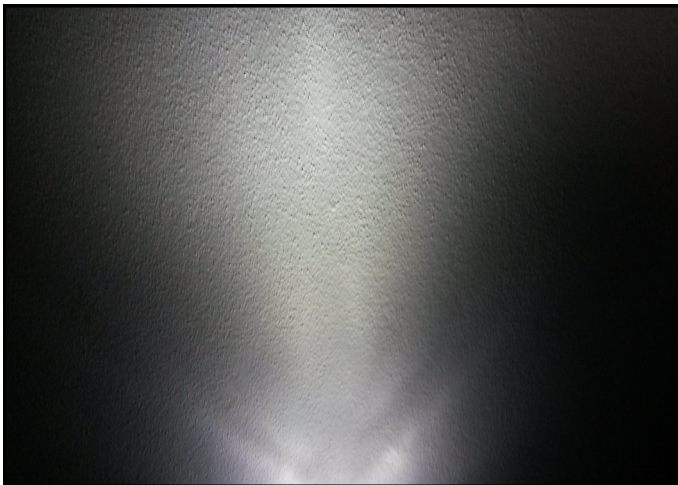


Code : 1060 D N2

10x60<sup>0</sup> Degree

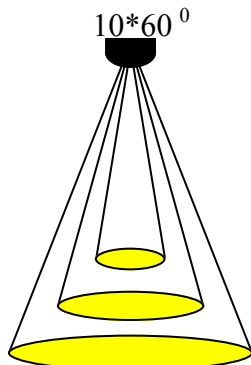
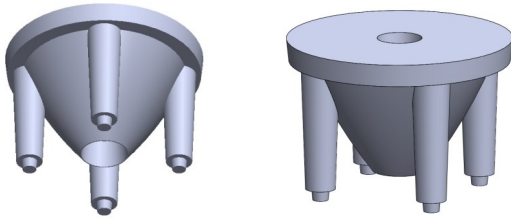


LIGHTING PARAMETERS



Box Quantity : 250 X 8 = 2000 PCS  
Box Size : 25\*25\*16 cm  
Box Total Kg +/-3%: Kg

PACKAGING

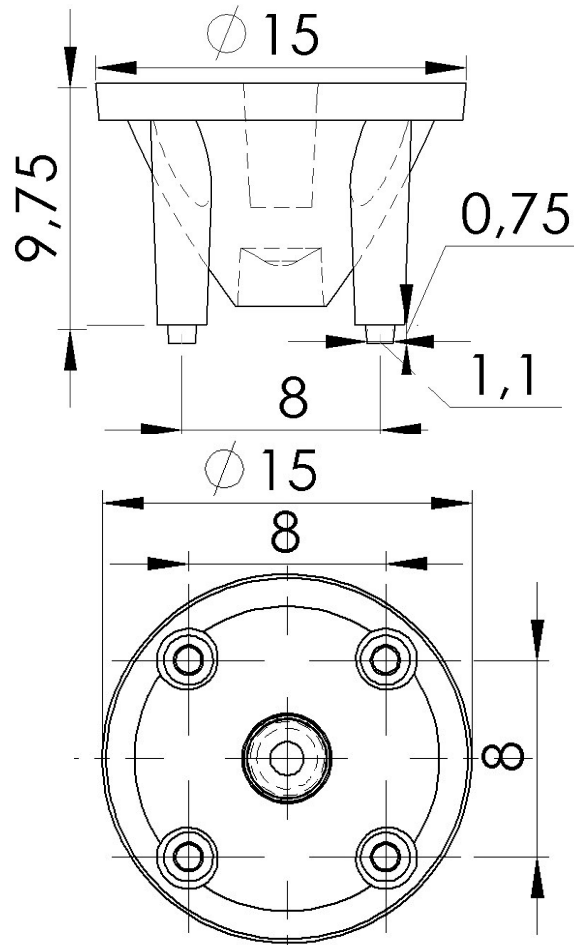


10 X 60 Degree

Light Dimension Parameters

- 1m / :  $\varnothing 0,17$  m \* 1,17 m
- 2m / :  $\varnothing 0,35$  m \* 2,35 m
- 3m / :  $\varnothing 0,55$  m \* 3,55 m

Band Light



\*TURLENS Custom Optical Design & Manufacture ( Lens for LED's )All technical data contained in this document are properties of "TURLENS". Turlens may change the content without prior notice. \*\*\*\*

\* Lens Use

\* Streets, Offices, Homes, Stages, Architectural, Down Light , & Decorative Lighting

\* Lens Material

- \* Optical Grade PMMA / PC Best Available Optical Efficiency : > 90 % ,PMMA with UV Light Transmittance High Productivity with 2mm Thickness
- \* Operating Temperature: -40°C ~ + 80°C (upper limit +90°C) PMMA
- \* Operating Temperature: -40°C ~ + 90°C (upper limit +100°C) PC
- \* Average transmittance in visible spectrum: 400nm~700nm> 90% - (3mm thick PMMA)

\* Holder information

\* Operating Temperature: -40°C ~ + 110°C PC V2 & ROHS UV Resistant  
Flammability Standard : V2 (burning stops within 30 seconds on a vertical specimen; drips of flaming particles are allowed). High heat resistance

\*Assembly Information

- \* If adhesive is used, make sure that the adhesive is acid-free.
- \* If you need to clean the lenses, use only mild soap and water. Use a very soft piece of cloth to dry.
- \* Do not use any solvents on lenses
- \* Our product is guaranteed against manufacturing defects only.
- \* Do not store the product in a dusty & corrosive environment
- \* Do not touch the optical portion of the lens with bare hands