

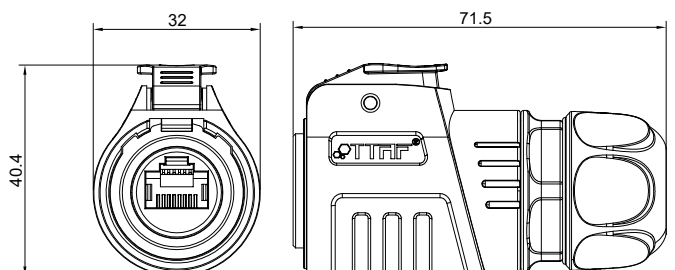
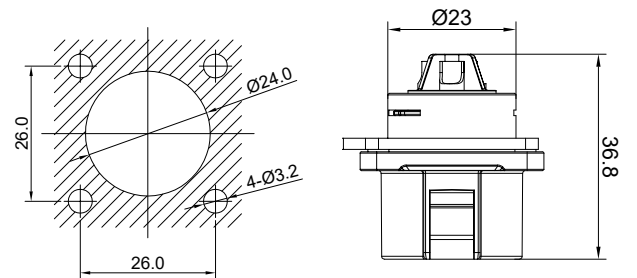
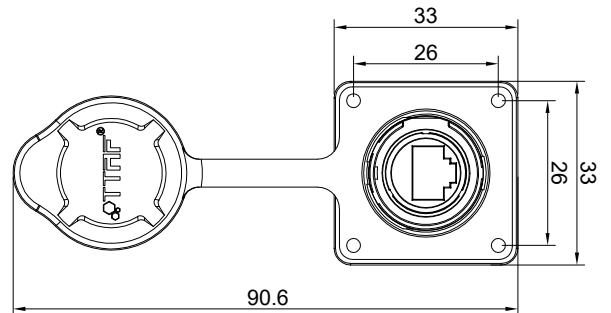


# TT30 DATA SERIES

Waterproof RJ45 Pluggable Connector

Product Code - TT 30 SERIES RJ45

EN 60309-1  
EN 60695-2  
EN 61984-2009



Type	RJ45
Connection Type	Plug/Unplug
Durability	500
Current Rating	1.5A.
Withstanding Voltage	1000V.
Contact Resistance	< 30 MΩ
Receptacle Housing	PBT, Black
Cable Specification	Cat5e - Cat6a - Cat7
Cable Outer Diameter	5.5 mm - 6.60 mm
Operating Temperature	-40°C- 80°C
IP Class	IP65/IP67



## Product Code

TT	30	M	03	PE	0	1	001
1	2	3	4	5	6	7	8

<b>1</b> Product Name	Name Of Product
<b>2</b> Mounting Size	20 - 25 - 30 - 35
<b>3</b> Type Of Terminal	M: male, F: female, U: USB, R: RJ45, F: fiber optic
<b>4</b> Quantity Of Terminal	2 - 3 - 4 - 7 - 9 etc.
<b>5</b> Category	PE: panel type , SX: cable type
<b>6</b> Connection Of Wire	0: solder
<b>7</b> Generation	1
<b>8</b> Special Code	Material Color

