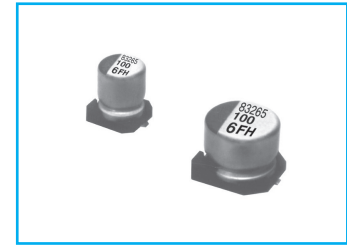


# CONDUCTIVE POLYMER ALUMINUM ELECTROLYTIC CAPACITORS

**FH** Chip type, Large Capacitance, Low ESR Series

- Large capacitance, Low ESR than FA Series
- Complied to the RoHS directive

**Hi-CAP**



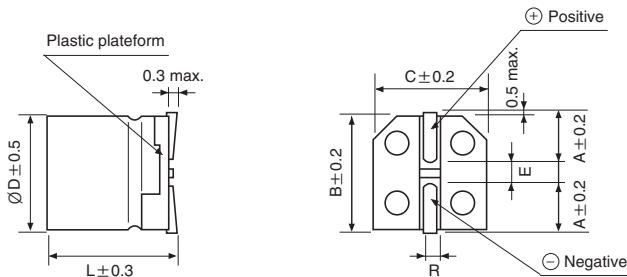
Item	Characteristics	
Operating temperature range	-55 ~ +105°C	
Leakage current max.*	Less than or equal to the value of Table1	
Capacitance tolerance	±20% at 120Hz, 20°C	
Dissipation factor max.	Less than or equal to the value of Table1	
ESR	Less than or equal to the value of Table1	
Temperature characteristics (Impedance ratio at 100kHz)	Z-55°C / Z+20°C	Z+105°C / Z+20°C
	0.75 ~ 1.25	0.75 ~ 1.25
Load life (after application of the rated voltage for 2000 hours at 105°C)	Leakage current	Less than specified value
	Capacitance change	Within ±20% of initial value
	ESR	Less than 150% of specified value
	tanδ	Less than 150% of specified value
Resistance to soldering heat (Refer to Page 37 for soldering recommendation)	Leakage current	Less than specified value
	Capacitance change	Within ±10% of initial value
	tanδ	Less than 130% of specified value

\* In case of some problems for measured values, measure after applying rated voltage for 120 minutes at 105°C.

## DRAWING

Unit : mm

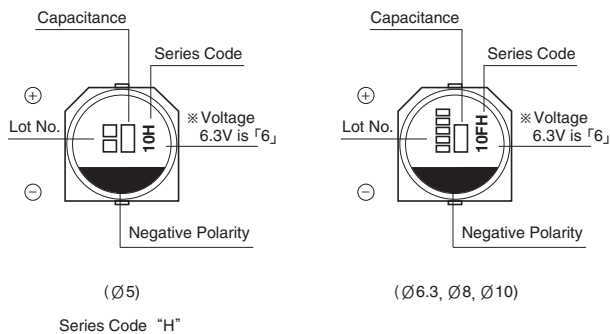
< Dimensions >



## PART NUMBER SYSTEM (See Page 52)

Size	ØD	L	B	C	E	A	R
5×5.9	5	5.9	5.3	5.3	1.4	2.2	0.5~0.8
6.3×5.9	6.3	5.9	6.6	6.6	2.2	2.45	0.5~0.8
8×6.9	8	6.9	8.3	8.3	3.2	2.9	0.5~0.8
8×11.9	8	11.9	8.3	8.3	3.2	2.9	0.8~1.1
10×12.6	10	12.6	10.3	10.3	4.6	3.2	0.8~1.1

< Marking >



**FH** Series

● Table 1. FH(SMD type) Series Characteristics List

WV	μF	Size		ESR(mΩ)max. 100kHz~300kHz	Ripple current (mA rms) at 105°C, 100kHz	Dissipation factor at 120Hz (max.)	Leakage Current (μA) (max.) after 2 minutes
		∅D(mm)	L(mm)				
2.5	180	5	5.9	24	2200	0.12	300
2.5	330	6.3	5.9	15	3160	0.12	500
2.5	390	6.3	5.9	25	2410	0.12	300
2.5	680	8	6.9	20	3370	0.12	500
2.5	820	8	11.9	9	5380	0.15	500
2.5	1500	8	11.9	10	5150	0.15	750
2.5	2700	10	12.6	12	5080	0.15	1350
4	150	5	5.9	23	2240	0.12	300
4	330	6.3	5.9	21	2630	0.12	300
4	560	8	6.9	22	3220	0.12	500
4	560	8	11.9	9	5380	0.15	500
4	1200	8	11.9	12	4700	0.15	960
4	1500	8	11.9	12	4700	0.15	1200
6.3	100	5	5.9	25	2150	0.12	300
6.3	220	6.3	5.9	15	3110	0.12	300
6.3	330	6.3	5.9	17	3390	0.12	416
6.3	390	8	6.9	22	3220	0.12	491
6.3	820	8	11.9	12	4700	0.15	1033
10	68	5	5.9	30	1970	0.12	300
10	120	6.3	5.9	27	2320	0.12	300
10	270	8	6.9	22	3220	0.12	500
16	39	5	5.9	35	1820	0.12	300
16	68	6.3	5.9	30	2200	0.12	300
16	120	8	6.9	27	2900	0.12	500

SOLID TYPES

● FREQUENCY COEFFICIENT OF PERMISSIBLE RIPPLE CURRENT

Frequency	120Hz	1kHz	10kHz	100~500kHz
Coefficient	0.05	0.3	0.7	1