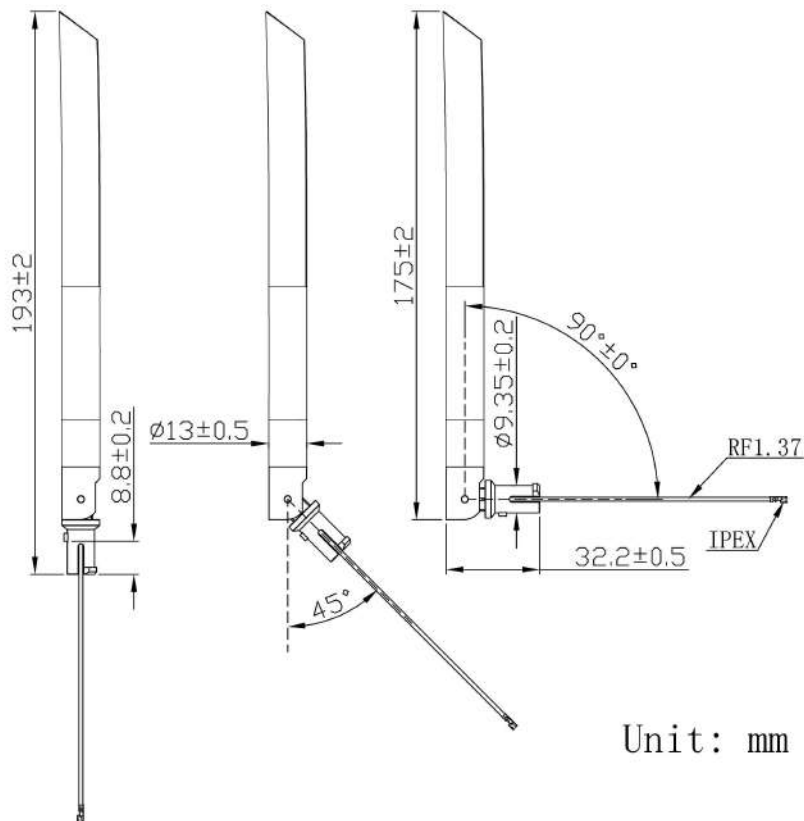


5G NR Antenna JCG410NR-1



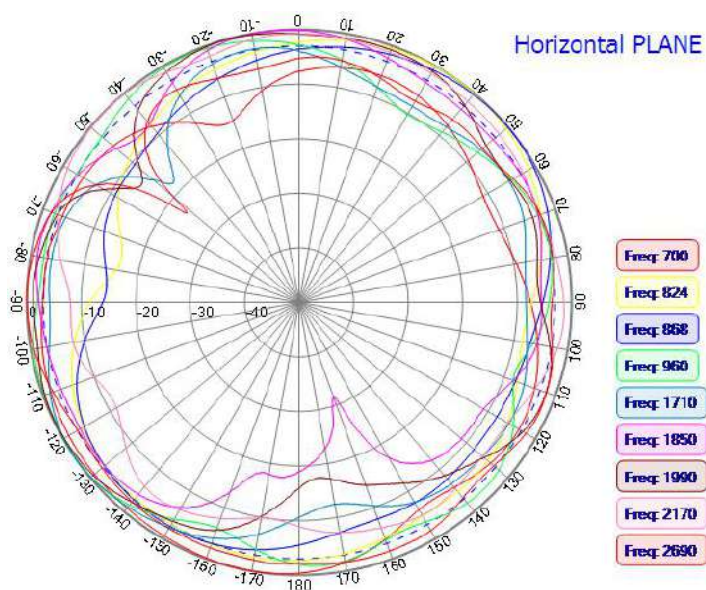
DIMENSIONS



SPECIFICATIONS

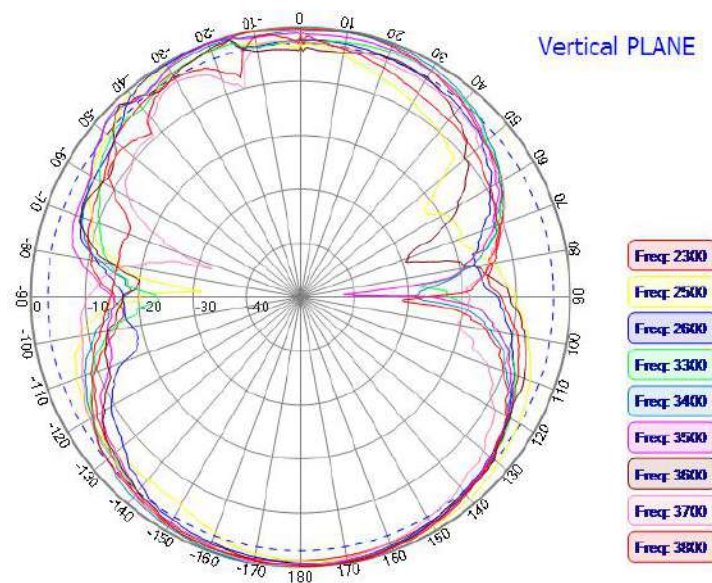
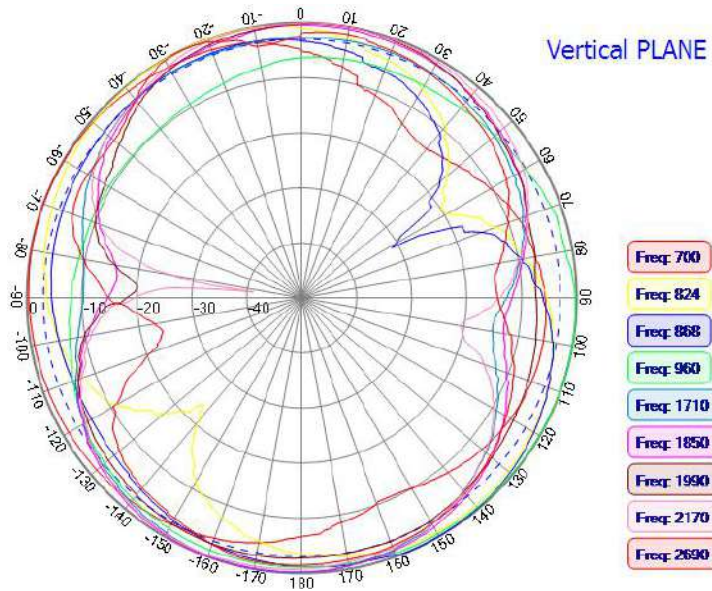
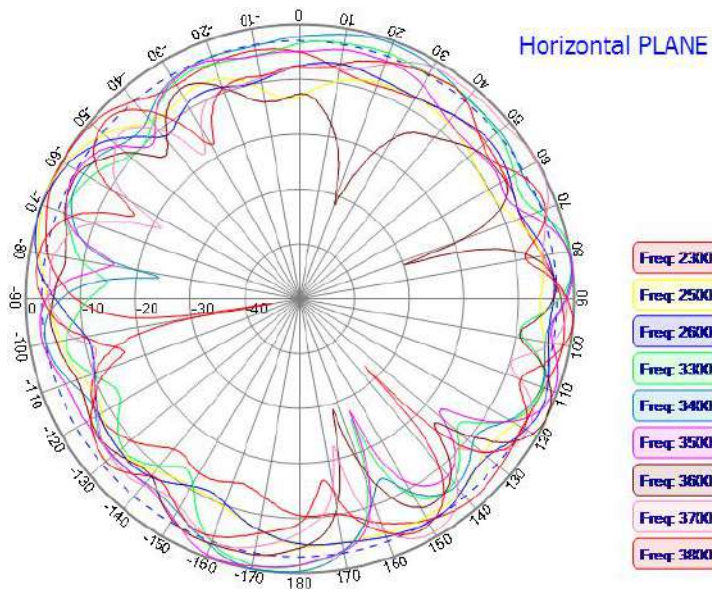
Item	Specifications	
Antenna	Frequency Range	617~960/1710~2690/3300-3800MHz
	Polarization	Linear
	Gain	3dBi typ.
	V.S.W.R	<3.0
	Impedance	50 Ω
Mechanical	Cable	RF1.37 or others
	Connector	IPEX or others
	Mounting Method	Knuckle
Environmental	Operating Temperature	-40°C~+85°C
	Vibration	10 to 55Hz with 1.5mm amplitude 2hours
	Environmentally Friendly	ROHS Compliant

Radiation Pattern





Jinchang Electron Global Service



Zhejiang JC Antenna Co., Ltd.
Address: 398#, Zhenye Road, South Street, Jiaxing, Zhejiang, China
www.jinchanggps.com

Contact: Dora Soong
Email&Skype: sale2@jinchanggps.com
Mobile: +86 18405863271