

REVISION RECORD				
REV	ECN	DESCRIPTION	DRFT	DATE

Technical characteristics:

Specifications

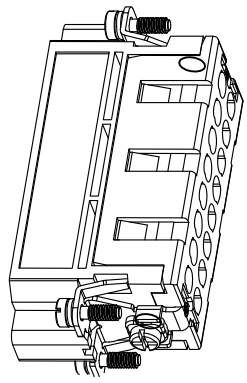
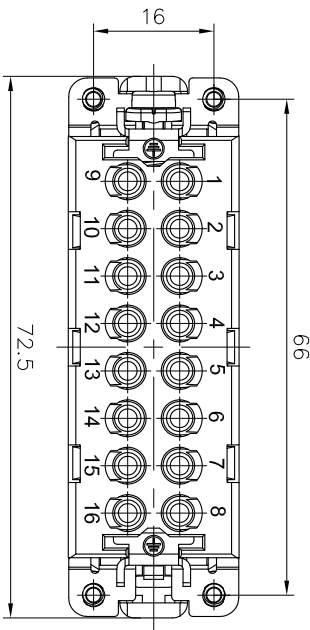
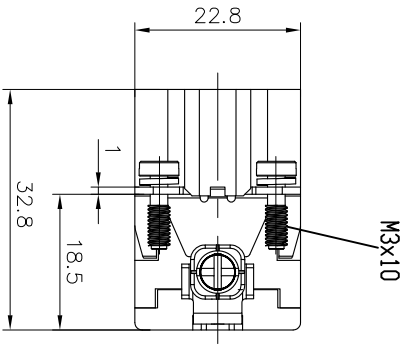
- DIN EN 60 664-1
- DIN EN 61 984

Inserts

- 01. Number of contacts : 16+PE
- 02. Rated Current : 16A
- 03. Rated Voltage : 250V
- 04. Pollution degree : 3
- 05. Rated impulse voltage : 4kV<sup>10</sup>
- 06. Insulation resistance :  $\geq 10 \Omega$
- 07. Material: Polycarbonate
- 08. Colour: RAL 7032 (Light grey)
- 09. Rated voltage acc. to UL/CSA: 600V
- 10. Limiting temperatures : -40°C ~ +125°C
- 11. Flammability acc. to UL94: V0
- 12. Mechanical working life (mating cycles) :  $\geq 500$

Contacts

- 01. Material: Copper alloy
  - 02. Surface: hard-silver plated
  - 03. Contact resistance :  $\leq 1m \Omega$
  - 04. Terminal : Crimp terminal
  - 05. Wire gauge : 0.14-4.0mm<sup>2</sup> (AWG 26-12)
  - 06. Stripping length : 7.5mm
  - 07. Rohns Compliance
- Note: Crimp contact pins should order separately



DETACHED LISTS			
PART NO.:	/	NINGBO DEGSON ELECTRICAL CO., LTD	
APPD:		宁波高松电子有限公司	
CHKD:		DA-016-MC	
DRFT:	YANG	TITLE: CUSTOMER DRAWING	REV
	2016.07.25	DA-016-MC-E01	DO-1
		DRAWING NO.:	SHEET
		DO NOT SCALE DRAWING	1/1
		SCALE	1:1

A 8 7 6 5 4 3 2 1

REVISION RECORD				
REV	ECN	DESCRIPTION	DRFT	DATE

Technical characteristics:

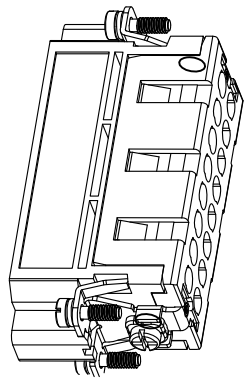
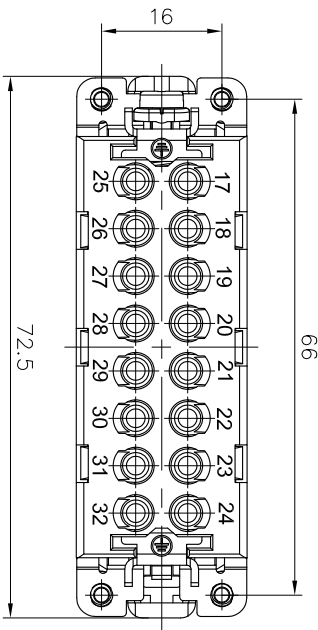
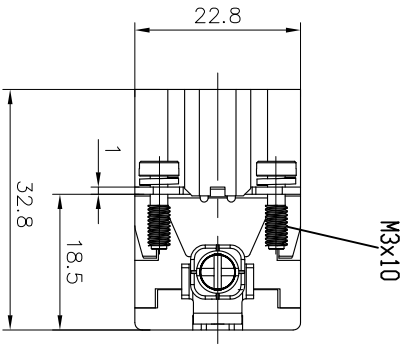
Specifications  
 DIN EN 60 664-1  
 DIN EN 61 984

Inserts

- 01. Number of contacts :16 (17-32)+PE
- 02. Rated Current :16A
- 03. Rated Voltage :250V
- 04. Pollution degree : 3
- 05. Rated impulse voltage :4kV<sup>10</sup>
- 06. Insulation resistance : ≥10 Ω
- 07. Material:Polycarbonate
- 08. Colour:RAL 7032(Light grey)
- 09. Rated voltage acc. to UL/CSA:600V
- 10. Limiting temperatures : -40℃~+125℃
- 11. Flammability acc. to UL94:V0
- 12. Mechanical working life (mating cycles) : ≥500



Contacts

- 01. Material:Copper alloy
  - 02. Surface:hard-silver plated
  - 03. Contact resistance : ≤1mΩ
  - 04. Terminal :Crimp terminal
  - 05. Wire gauge :0.14-4.0mm<sup>2</sup> (AWG 26-12)
  - 06. Stripping length :7.5mm
  - 07. Rohs Compliance
- Note:Crimp contact pins should order separately



A 8 7 6 5 4 3 2 1

A 8 7 6 5 4 3 2 1

DETACHED LISTS			
PART NO.:	/	 宁波高松电子有限公司 NINGBO DEGSON ELECTRICAL CO.,LTD	
APPD:			
CHKD:			
DRFT:	YANG 2016.07.25		
NAME:	DA-016-MC(17-32)	TITLE:	CUSTOMER DRAWING
DRAWING NO.:	DA-016-MC-E02	REV	DO-1
THIRD ANGLE PROJECTION		SHEET	1/1
		SCALE	1:1