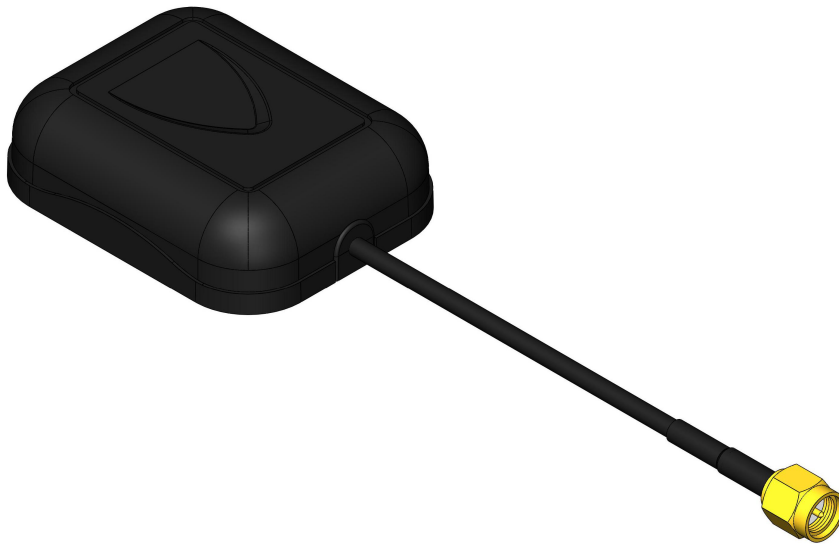
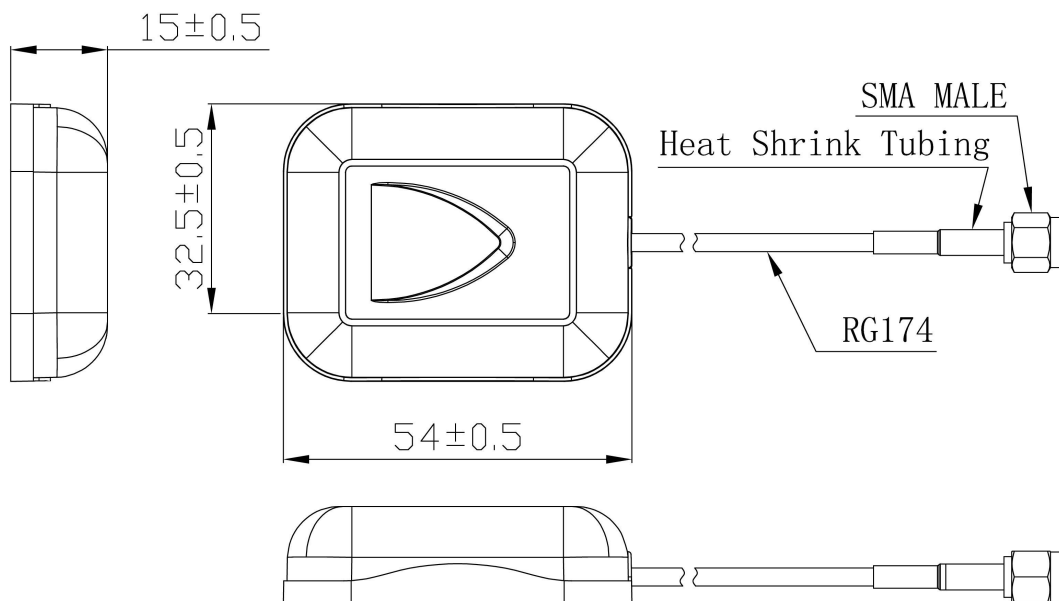


# GPS&COMPASS Active Antenna JCA209



## DIMENSIONS



Unit: mm

**JIAXING JINCHANG ELECTRONIC TECHNOLOGY CO.,LTD**

Add: 398#, Zhenye Road, South Street, Jiaxing, Zhejiang, China

Http://www.jinchanggps.com

E-mail: jcgps@vip.163.com

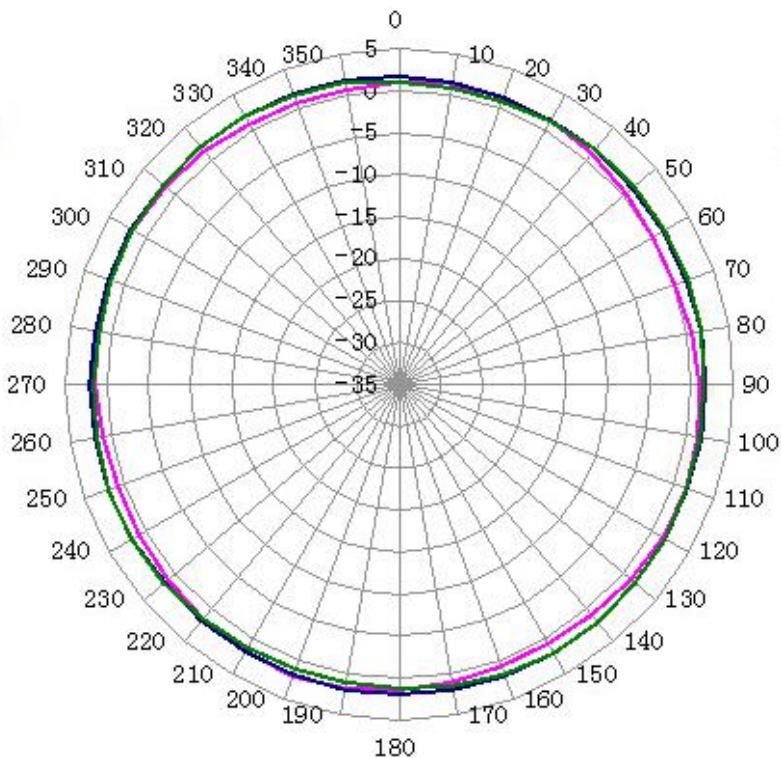
Tel: 86-0573-83692157/83692605/83958637 Fax: 86-0573-83958635

**SPECIFICATIONS**

Item	Specifications	
Antenna	Frequency Range	1561.098-1575.42MHz
	Band Width	≥18MHz
	Polarization	RHCP
	Gain	3dBic
	V.S.W.R	<1.5
	Impedance	50 Ω
	Dimension	35*35*4mm
LNA	Gain	28±2dB
	Noise Figure	<1.5dB
	Filter Insertion Loss	<3dB
	Ex-band Attenuation	35dB@CF±50MHz/50dB@CF±100MHz
	Supply Voltage	2.2~5V DC
	Current Consumption	10~20mA
	V.S.W.R	<2.0
Mechanical	Cable	RG174
	Connector	SMA/MCX/FAKRA or others
	Radome Material	ABS
	Mounting Method	Magnet/Adhesive
Environmental	Operating Temperature	-40℃~+85℃
	Relative Humidity	Up to 95%
	Ingress Protection	IP66
	Vibration	10 to 55Hz with 1.5mm amplitude 2hours
	Environmentally Friendly	ROHS Compliant

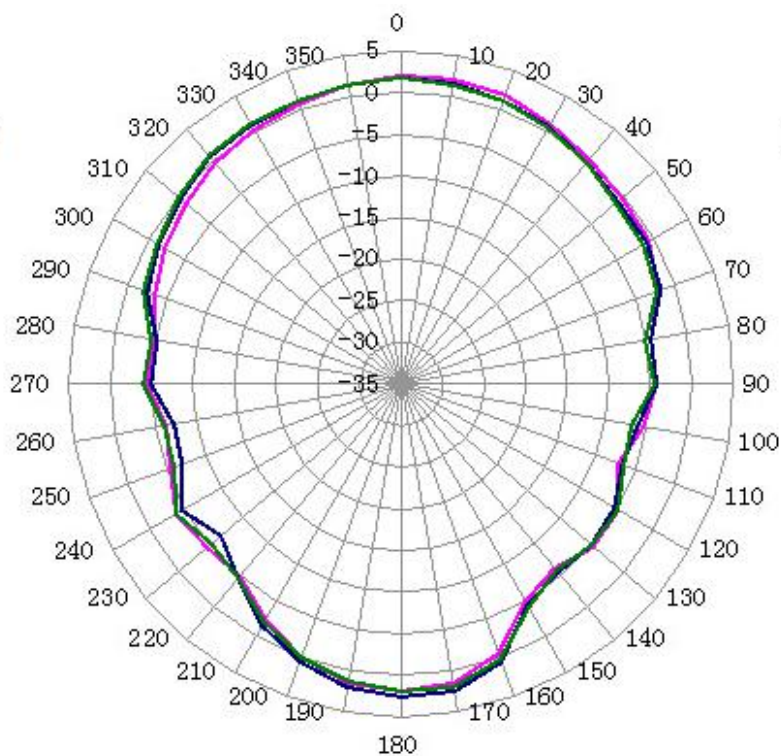
**Radiation Pattern**

**35\*35**



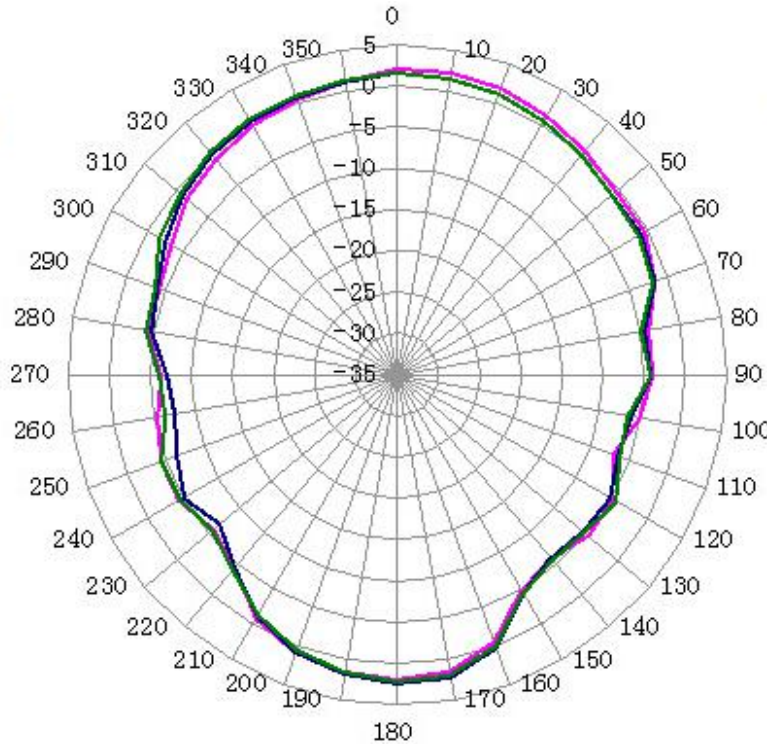
- 1561MHz
- 1568MHz
- 1575MHz

**35\*35**



- 1561MHz
- 1568MHz
- 1575MHz

35\*35



YZ PLANE

— 1561MHz  
— 1568MHz  
— 1575MHz

## LNA Gain&Noise Figure

