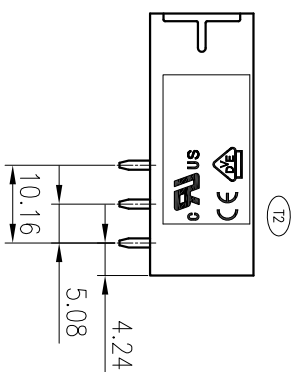
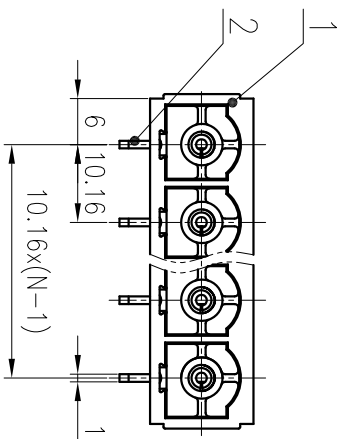
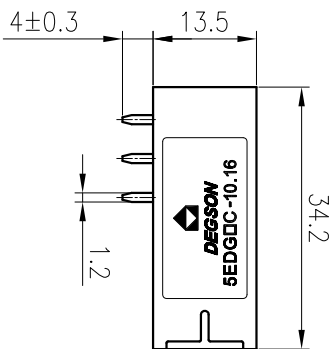
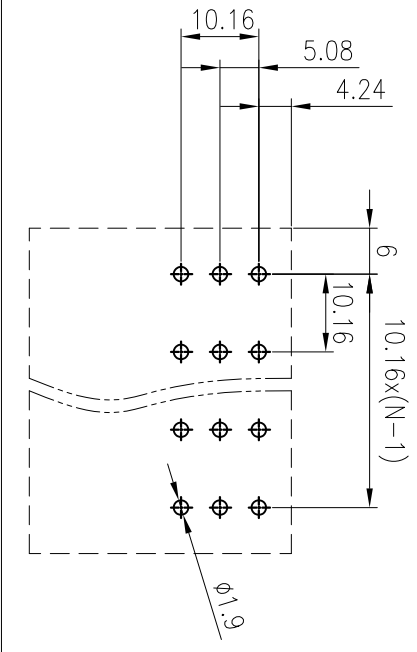
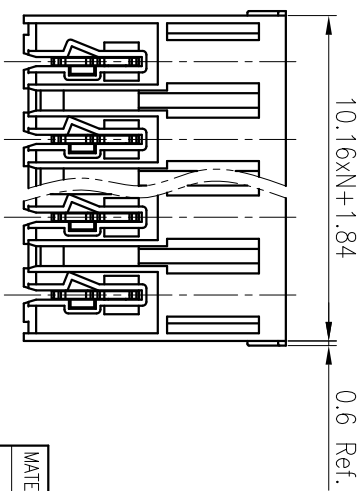


PCB LAYOUT



公差带 (General Tolerances)	0	>3	>6	>10	>18	>30	>50	>80	>120	>180	>250	>315	>400	>500	0.1/1/0
±0.12	±0.18	±0.22	±0.26	±0.31	±0.37	±0.57	±0.80	±0.93	±1.05	±1.15	±1.60	±2.20	±2.50		±2



ITEM	NAME OF PART	MATERIAL	NOTES
2	Pin header	Copper	Ag Plated
1	Housing	PA66	UL94V-0

UL 标准/UL Standard:	B	C	D
额定电压/电流 / Rated Voltage(V)/Current(A)	300/52	300/52	600/5

IEC 标准/IEC Standard:	III/3	III/2	II/2
过压类别/Overvoltage Category/污染等级/Pollution Degree	III/3	III/2	II/2
额定电压/电流 / Rated Voltage(V)/Current(A)	600/57	/	/
额定脉冲电压 (KV)/Rate Impulse Voltage(KV)	6	/	/
可距/Pitch(mm)/线数范围/Poles	10.16/N=02~08P		
使用温度范围/Operating temperature(°C)	-40~+105		
符合RoHS环保要求/Conform to RoHS	Yes		

MATERIAL: /

MAT NO.: /

STATUS: /

APPD: Lon CHH 2020.10.14

CHKD: Gong YZh 2020.10.14

DRFT: Cen/M/Z 2016.10.02

SIZE: A4

SCALE: 1:1

SHEET 1/1

NAME: 5EDGRC-10.16-XXP-1Y-10A(H)

DRAWING NO.: 5EDGRC-10.16-C02

TYPE: CUSTOMER DRAWING

SCALE: 1:1

SHEET 1/1

DRFT: DRFT DATE: 2017.03.10

Yin DK Yin DK 2020.10.10

Design Modify Design Modify

2XCancel engraving

20-0215 17-0131

REV ECN DESCRIPTION DATE

宁波高松电子有限公司
NINGBO DEGSON ELECTRICAL CO., LTD

REV	ECN	DESCRIPTION	DRFT	DATE
T2	20-0215	2XCancel engraving	Yin DK	2020.10.10
T1	17-0131	Design Modify	Xin	2017.03.10