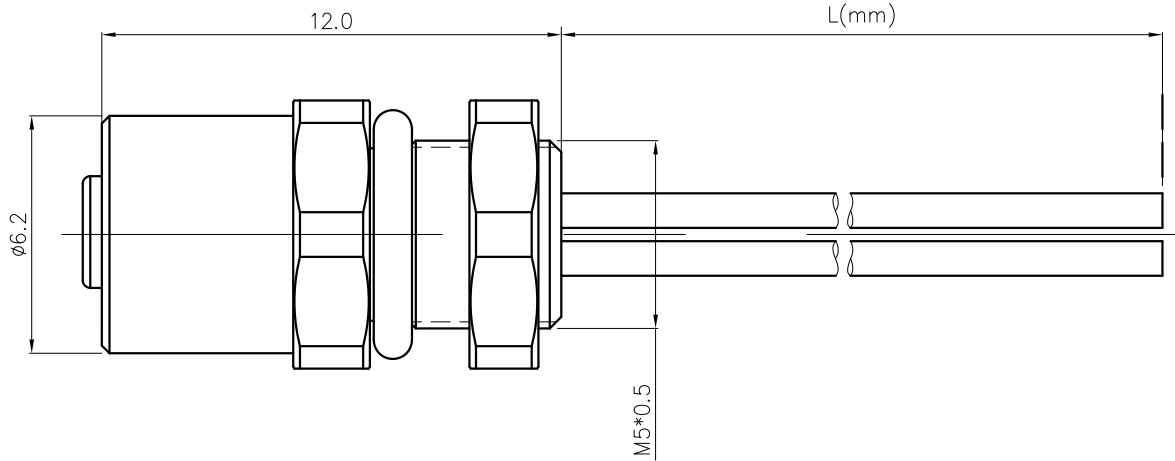
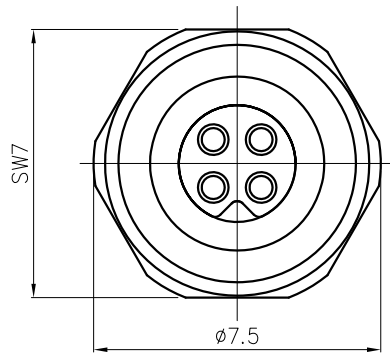


REVISION RECORD

| REV | ECN | DESCRIPTION | DRFT | DATE |
|-----|-----|-------------|------|------|
|-----|-----|-------------|------|------|



NOTES:

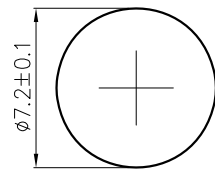
1. Rated voltage/current : 60V / 1A
2. Withstanding voltage : 800V
3. Levels of protection: IP67
4. Wire range : 26AWG, 0.14mm², UL1061
5. Wire connection mode: soldering
6. Operating temperature: -40°C~+85°C
7. For Panel Thickness Range : 2.0~4.0mm
8. RoHS Compliance
9. Tolerance :

| | |
|--------|---------|
| .X | ±0.25mm |
| .XX | ±0.1mm |
| Angles | ±1° |

SD-M5A-XXP-FF-SH7AXX-00A(H)

Pin number: 03,04

- XX: 150~1500mm
- 15: 150±15mm
- 30: 300±20mm
- 50: 500±20mm
- A0: 1000±40mm
- A5: 1500±40mm
- Wire Length(L): 150~1500mm



Panel cut

| 3pin A Coding | | 4pin A Coding | |
|---------------------------|------------|---------------------------|------------|
| | | | |
| Pin Assignment Front View | | Pin Assignment Front View | |
| | | 4 | Black |
| 4 | Black | 3 | Blue |
| 3 | Blue | 2 | White |
| 1 | Brown | 1 | Brown |
| Conn | Wire Color | Conn | Wire Color |
| Pin Out | | Pin Out | |

| | | | | | |
|------------------------|--------------------------------|-----------------------------------|---|-------|-----|
| DETACHED LISTS | PART NO.: SDM5AXXPFFSH7AXX00AH | | 宁波高松电子有限公司 NINGBO DEGSON ELECTRICAL CO., LTD | | |
| | APPD: | NAME: SD-M5A-XXP-FF-SH7AXX-00A(H) | | | |
| | CHKD: | TITLE: CUSTOMER DRAWING | | | |
| | DRFT: SQ 2019.05.11 | REV | D0-1 | | |
| | | | DRAWING NO.: XXXXXXXX-XX-CXX | SHEET | 1/1 |
| THIRD ANGLE PROJECTION | | MM (INCH) | DO NOT SCALE DRAWING | SCALE | 1:1 |