

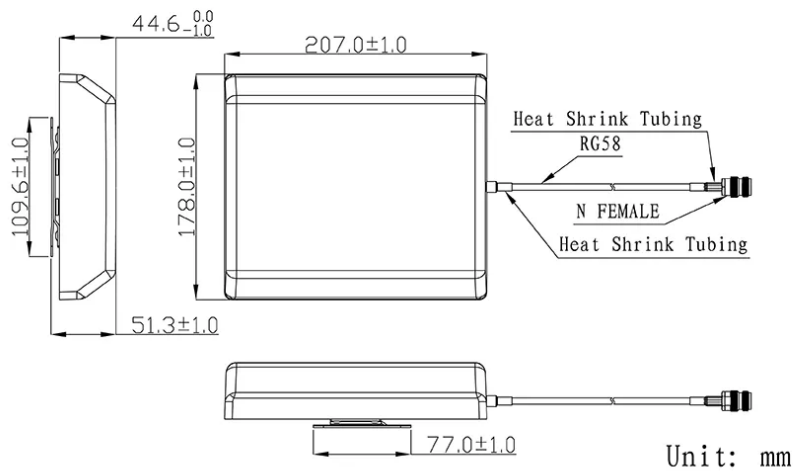
JCW916 Panel Antenna



JC Antenna



DIMENSIONS



SPECIFICATIONS

Item		Specifications
WIFI&GSM Antenna	Frequency Range	824~960/1710~2170/2400~2500MHz
	Polarization	Linear
	Gain	6/9/10dBi
	V.S.W.R	< 2.0
	Impedance	50Ω
Mechanical	Cable	RG58
	Connector	N/SMA/or others
	Radome Material	ABS
	Mounting Method	Screw
Environmental	Operating Temperature	-40°C~+85°C
	Relative Humidity	Up to 95%
	Environmentally Friendly	ROHS Compliant