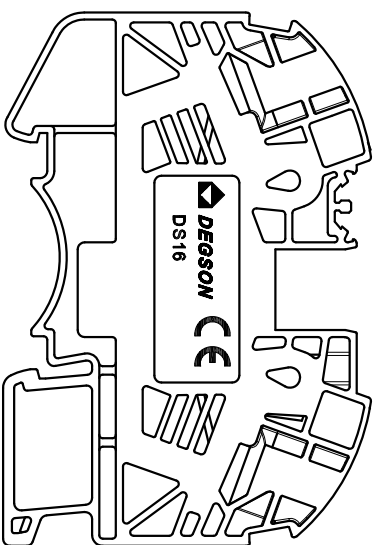
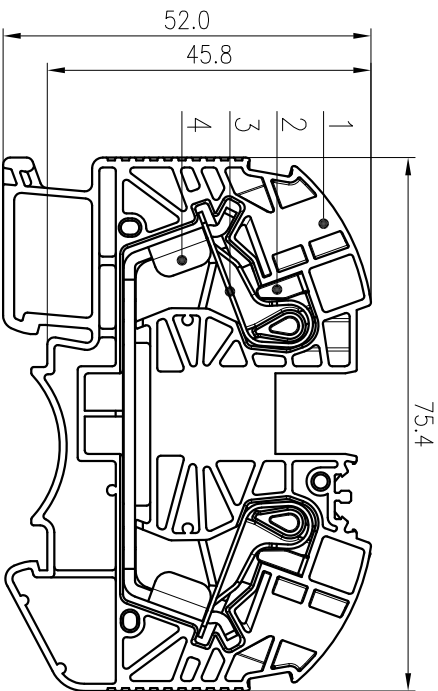
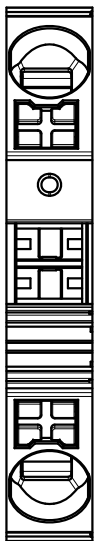


本柱公差 (General tolerances)(mm)													
0	>3	>6	>10	>18	>30	>50	>80	>120	>180	>250	>315	>400	0.1/1/10
~	~	~	~	~	~	~	~	~	~	~	~	~	
3	6	10	18	30	50	80	120	180	250	315	400	500	±Z
±0.12	±0.18	±0.22	±0.26	±0.31	±0.37	±0.57	±0.80	±0.93	±1.05	±1.15	±1.60	±2.20	±2.50



UL 标准/UL Standard:	B	C	D
额定电压/电压/Rated Voltage(V)/Current(A)	600/85	/	/
EC 标准/IEC Standard:			
过压类别/Overvoltage Category/污染等	III/3	III/2	II/2
级/ Pollution Degree			
额定电压/电压/Rated Voltage(V)/Current(A)	1000/76	/	/
额定脉冲电压(KV)/Rate Impulse Voltage(KV)	8	/	/
线径范围(硬线和软线)/Wire Range(rigid and flexible)(mm <sup>2</sup> /AWG)	0.5~1.6,25(Sol)/20~4		
间距/Pitch(mm)	12.2		
剥线长度/Stripping length(mm)	18		
使用温度范围/Operating temperature(°C)	-40~+105		
符合RoHS环保要求/Conform to RoHS	Yes		

SURFACE: /

MATERIAL:	/
MAT NO.:	/
STATUS:	/

NINGBO DEGSON ELECTRICAL CO., LTD

NAME:	DS16-01P-1Y-00A(H)
DRAWING NO.:	DS16-C01

APPD:	Li GL 2020.06.01
CHKD:	Mao J 2020.06.01
DRETHuang	S 2018.10.23
SIZE:	A4
TYPE:	CUSTOMER DRAWING
SCALE:	1:1
SHEET:	1/1

4	Current Carrier	Copper	Sn plated
3	Spring	Stainless steel	
2	Button	PA66-GF	UL94 V-0
1	Housing	PA66	UL94 V-0

ITEM	NAME OF PART	MATERIAL	NOTES
1			

REV	EON	DESCRIPTION	DRAFT	DATE