

HVH Series 105°C SMD Aluminum Electrolytic Capacitor

◆ Features

Operating with wide temperature range -55~+105° C

Load life of 2000 hours

RoHS & REACH compliant, Halogen-free

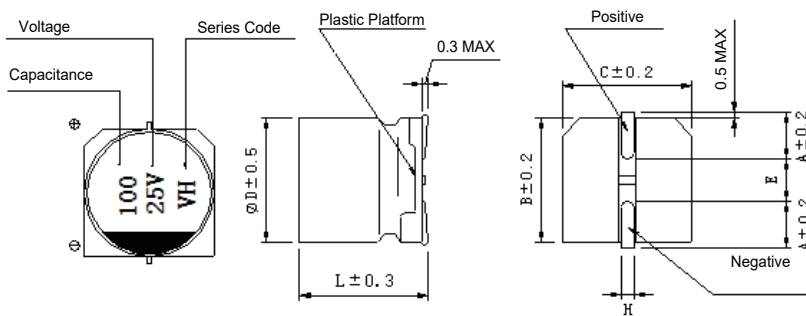


◆ Specifications

Items	Characteristics							
Operating Temperature Range	-55°C ~ 105°C							
Rated Voltage Range	4 V ~ 400V							
Nominal Capacitance Range	1 ~ 8200 μF							
Nominal Capacitance Tolerance	±20% (20°C, 120Hz)							
Leakage Current	$I \leq 0.01CRVR$ or $3(\mu A)$ Whichever is greater After 2 minutes' application of rated voltage. CR: Nominal Capacitance (μF) UR: Rated voltages (V)							
tgδ Dissipation Factor (Max) 20°C, 120Hz	UR (V)	4	6.3	10	16	25	35	50
	tgδ	0.4	0.3	0.24	0.2	0.16	0.14	0.14
When nominal capacitance exceeds 1000uF, add 0.02 to the value above for each 1000uF increase.								

◆ Drawing of Series HVH

1. φ4~φ6.3



2. φ8~φ18

