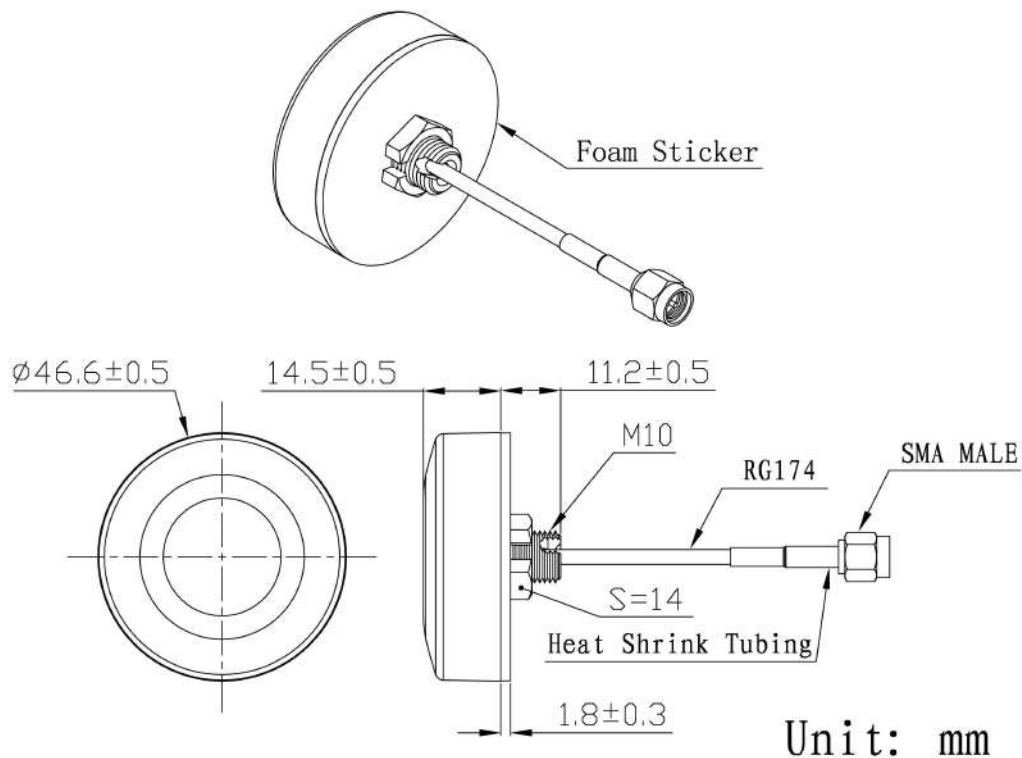


GSM Antenna

JCG003



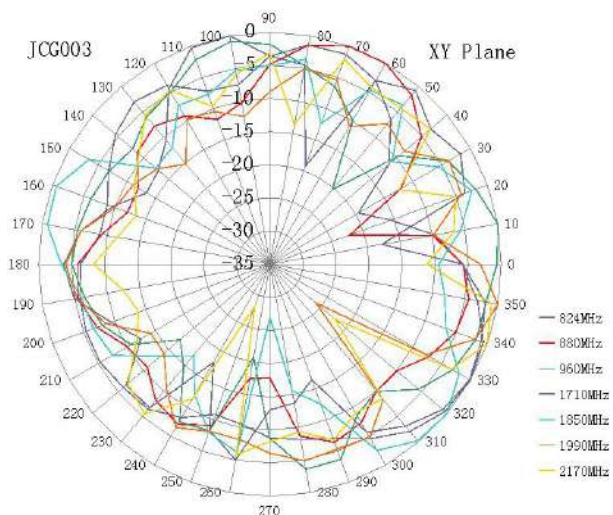
DIMENSIONS



SPECIFICATIONS

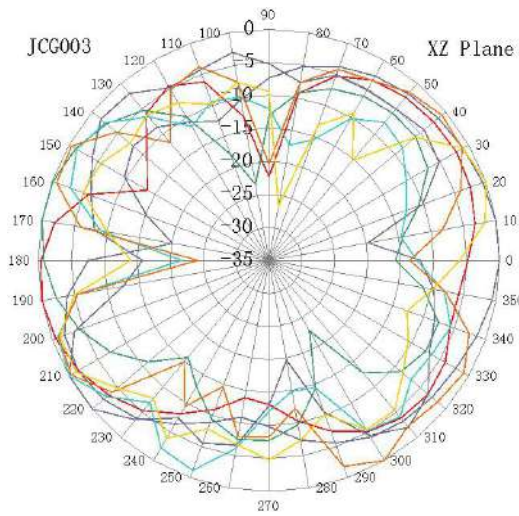
Item	Specifications	
GSM Antenna	Frequency Range	824~960MHz/1710~2170MHz
	Polarization	Linear
	Gain	2dBi (Zenith)
	V.S.W.R(min)	<2.5
	Impedance	50Ω
Mechanical	Cable	RG174
	Connector	SMA/MCX/FAKRA or others
	Radome Material	ABS
	Mounting Method	Screw
Environmental	Operating Temperature	-40℃~+85℃
	Relative Humidity	Up to 95%
	Ingress Protection	IP65~IP67 (exclude cable outlet)
	Vibration	10 to 55Hz with 1.5mm amplitude 2hours
	Environmentally Friendly	ROHS Compliant

Radiation Pattern

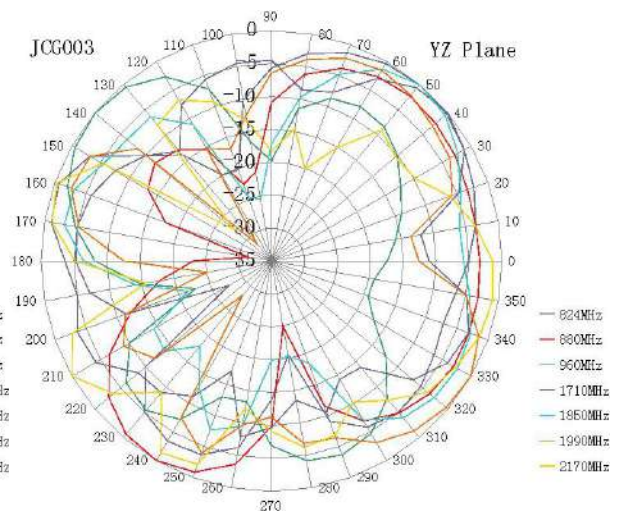




Jinchang Electron Global Service



- 824MHz
- 880MHz
- 960MHz
- 1710MHz
- 1850MHz
- 1990MHz
- 2170MHz



- 824MHz
- 880MHz
- 960MHz
- 1710MHz
- 1850MHz
- 1990MHz
- 2170MHz

Zhejiang JC Antenna Co., Ltd.
Address: 398#, Zhenye Road, South Street, Jiaxing, Zhejiang, China
www.jinchanggps.com

Contact: Dora Soong
Email&Skype: sale2@jinchanggps.com
Mobile: +86 18405863271