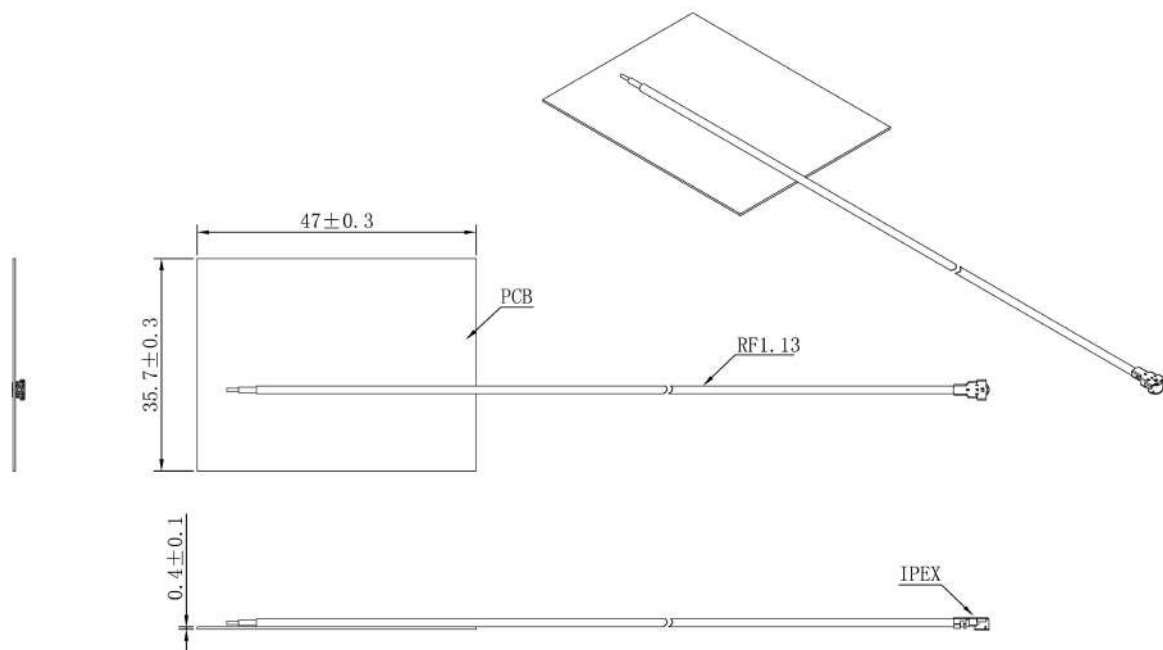


WIFI Internal Antenna JCW418



DIMENSIONS

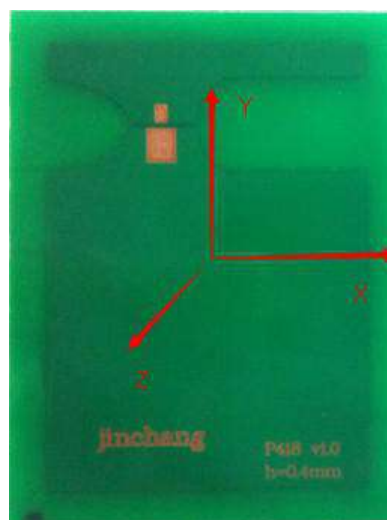
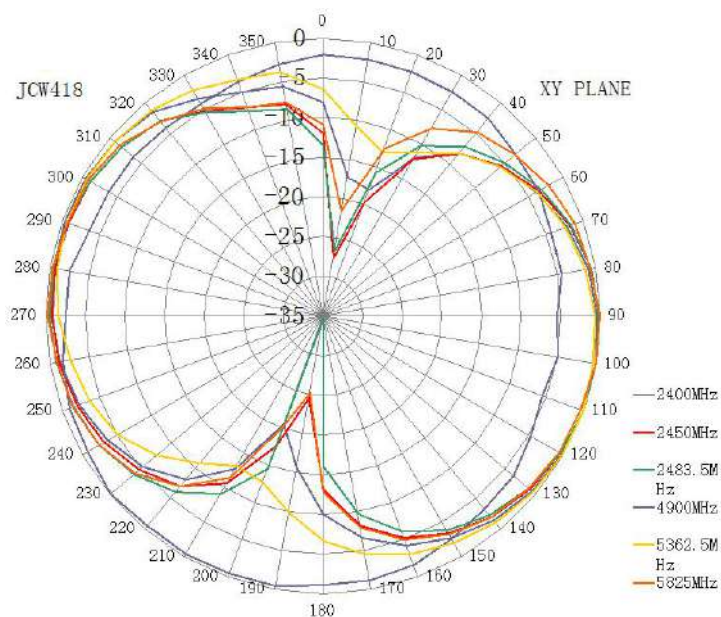


Unit:mm

SPECIFICATIONS

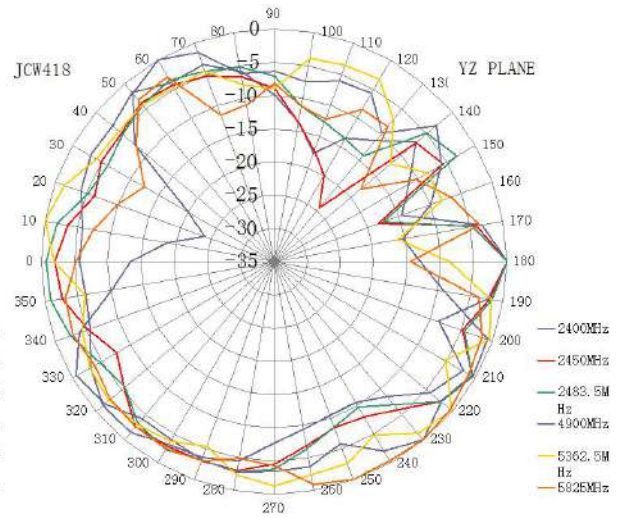
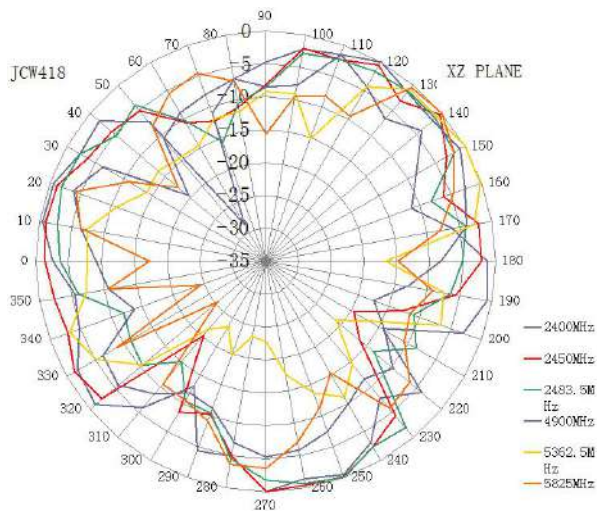
| Item | Specifications | |
|---------------|--------------------------|--|
| Antenna | Frequency Range | 2400~2483.5MHz/4900~5825MHz |
| | Polarization | Linear |
| | Gain | 3dBi (Zenith) |
| | V.S.W.R | <2.0 |
| | Impedance | 50 Ω |
| | PCB Dimension | 47*35.7*0.4mm |
| Mechanical | Cable | RF1.13/RF1.37 or others |
| | Connector | IPEX |
| | Mounting Method | Embedded or Adhesive |
| Environmental | Operating Temperature | -40°C~+85°C |
| | Vibration | 10 to 55Hz with 1.5mm amplitude 2hours |
| | Environmentally Friendly | ROHS Compliant |

Radiation Pattern





Jinchang Electron Global Service



Zhejiang JC Antenna Co., Ltd.
Address: 398#, Zhenye Road, South Street, Jiaying, Zhejiang, China
www.jinchanggps.com

Contact: Dora Soong
Email&Skype: sale2@jinchanggps.com
Mobile: +86 18405863271