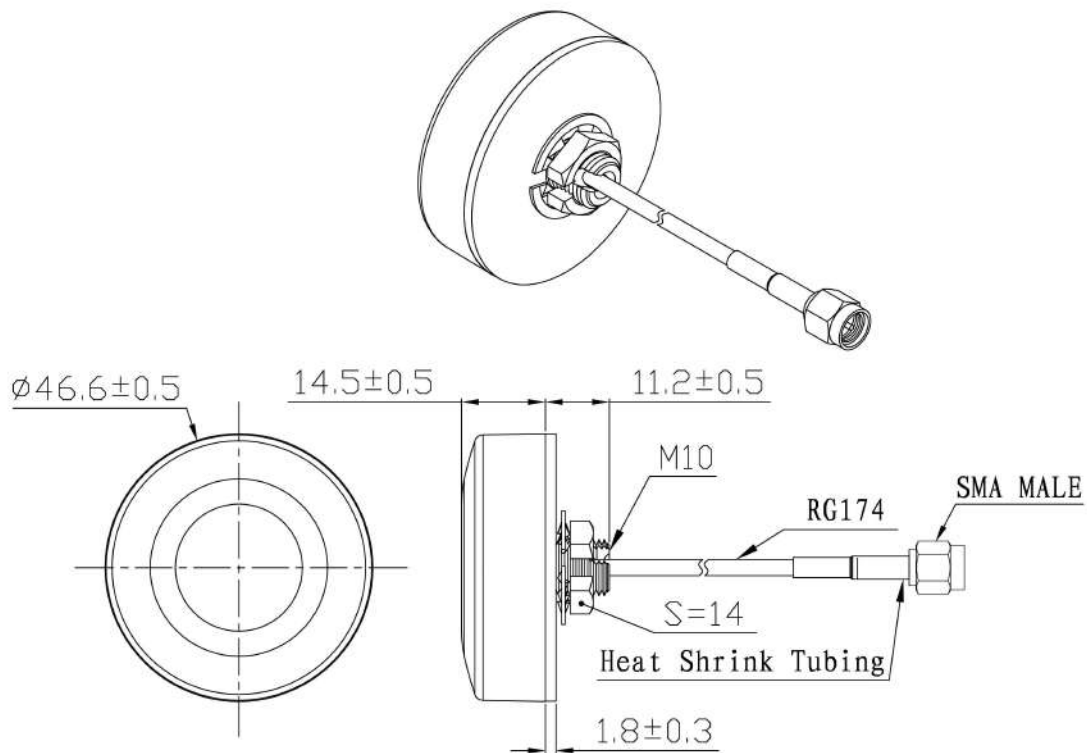


# WIFI Antenna JCW003



## DIMENSIONS

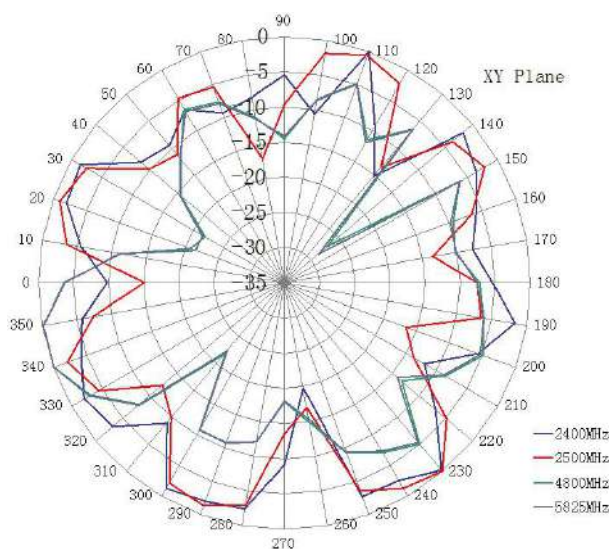


Unit: mm

## SPECIFICATIONS

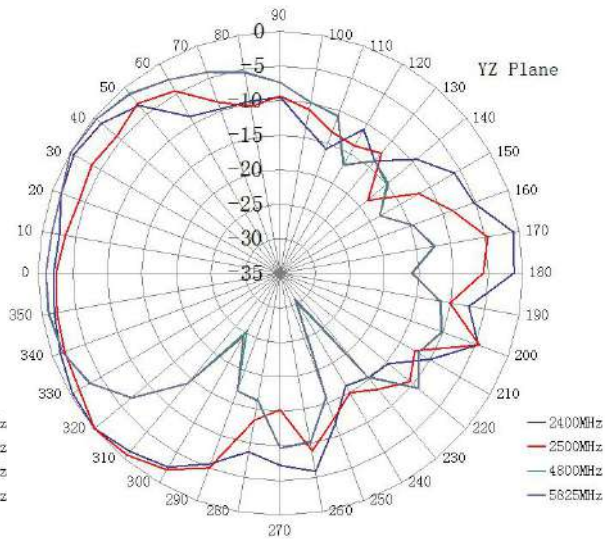
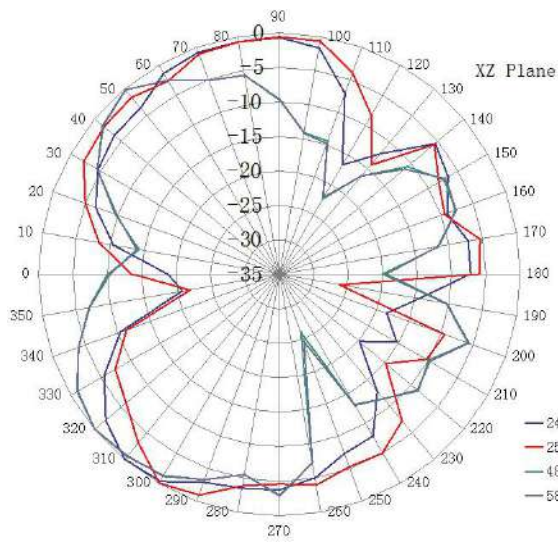
Item	Specifications	
WIFI Antenna	Frequency Range	2400~2483.5/4800~5825MHz
	Polarization	Linear
	Gain	2dBi (Zenith)
	V.S.W.R(min)	<2.5
	Impedance	50Ω
Mechanical	Cable	RG174
	Connector	SMA/MCX/FAKRA or others
	Radome Material	ABS
	Mounting Method	Screw
Environmental	Operating Temperature	-40°C~+85°C
	Relative Humidity	Up to 95%
	Ingress Protection	IP65~IP66 (exclude cable outlet)
	Vibration	10 to 55Hz with 1.5mm amplitude 2hours
	Environmentally Friendly	ROHS Compliant

## Radiation Pattern





Jinchang Electron Global Service



Zhejiang JC Antenna Co., Ltd.  
Address: 398#, Zhenye Road, South Street, Jiaxing, Zhejiang, China  
www.jinchanggps.com

Contact: Dora Soong  
Email&Skype: sale2@jinchanggps.com  
Mobile: +86 18405863271