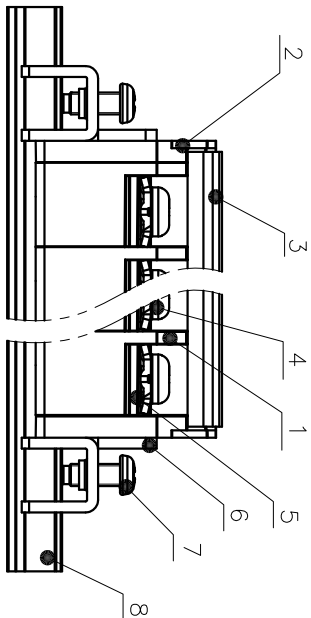
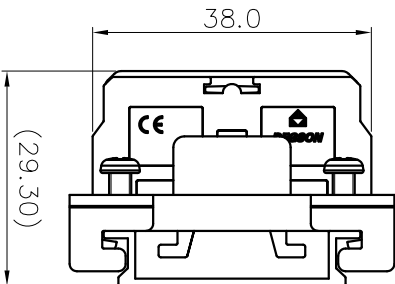
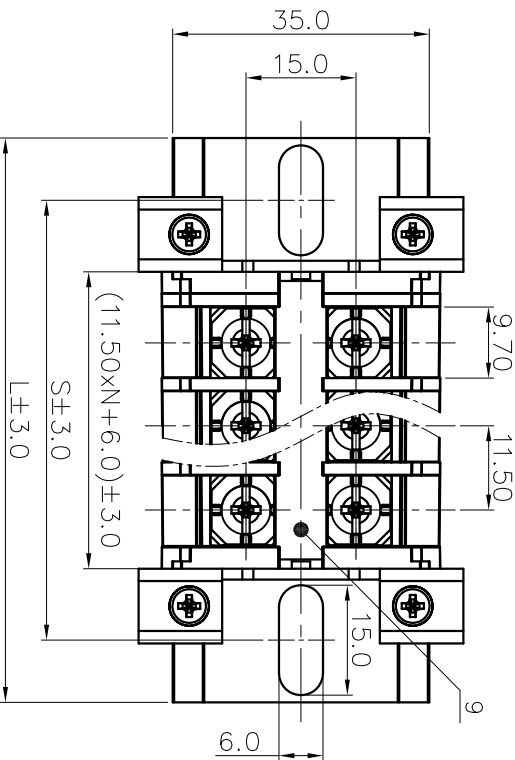


未注公差/General tolerances(mm)		D 0.1/10 Z ±?
0	>3	
~	>6	~
3	10	
~	>10	~
6	18	
~	>18	~
30	50	
~	>30	~
50	80	
~	>50	~
120	180	
~	>80	~
250	315	
~	>120	~
400	500	
~	>315	~
500	>500	

(Without Cover)



Poles(N)	01	02	03	04	05	06	07	08	09	10	11	12	13	14	15	16
L	57	77	77	97	97	117	117	137	157	157	177	177	197	197	217	237
S	40	60	60	80	80	100	100	120	140	140	160	160	180	180	200	220

ITEM	NAME OF PART	MATERIAL	NOTES
9	Tag	PVC	/
8	Tramboard	Al	/
7	Screw2	Steel	M3/7n Plated
6	Fastener	Steel	M3/7n Plated
5	Current carrier	Copper alloy	Ni Plated
4	Screw 1	Steel	M4/7n Plated
3	Cover	PC	UL94V-2
2	Housing2	PC	UL94V-0
1	Housing1	PC	UL94V-0

UL 标准/UL Standard:	B	C	D
额定电压/电流/Rated Voltage(V)/Current(A)	600/30	600/30	600/5
螺丝扭矩/Torque Tightening(N.m/Lb.in)	M4, 1.43	1/12	6.3
导线范围(硬线和软线)/Wire Range(rigid and flexible)(AWG)	20~10		
回电/Pitch(mm)/线数范围/Poles	11.5/N=01~16P		
使用温度范围/Operating temperature(°C)	-40~+125		
符合RoHS环保要求/Conform to RoHS	Yes		

SURFACE: /

MATERIAL: /

MAT NO.: /

STATUS: /

APPD: /

CHKD: /

DRFT: CenX 2020.05.19

DRAWING NO.: DGR30-C02

SIZE: A4

TYPE: CUSTOMER DRAWING

SCALE: 2:1

REV	ECN	DESCRIPTION	DRFT	DATE
1				
2				

REV	REV	SHEET
1	1	1/1

宁波高松电子有限公司
NINGBO DEGSON ELECTRICAL CO., LTD
NAME: DGR30-XXP-1Y-10A(H)