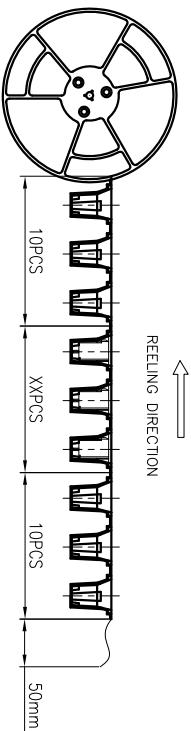
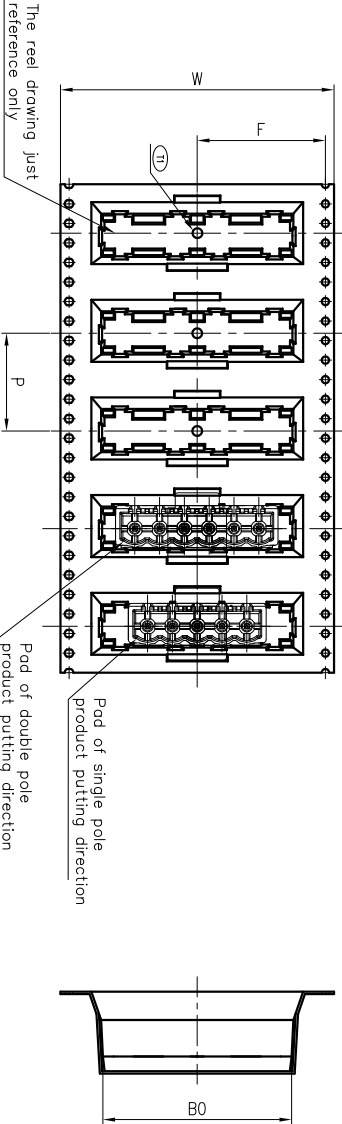


Reel Name	POLE	Width /W	Pitch /P	Width/F	Width/BO	Qty. per reel	Reel qty. per carton	Qty. per carton
ZEDGWA-THR-5.08-REEL(32)	2~3	32mm	20mm	14.25mm	20.6mm	140	8	1120
ZEDGWA-THR-5.08-REEL(56)	4~8	56mm	20mm	26.25mm	38.67mm	140	5	700
ZEDGWA-THR-5.08-REEL(88)	9~12	88mm	20mm	42.25mm	73.21mm	140	3	420

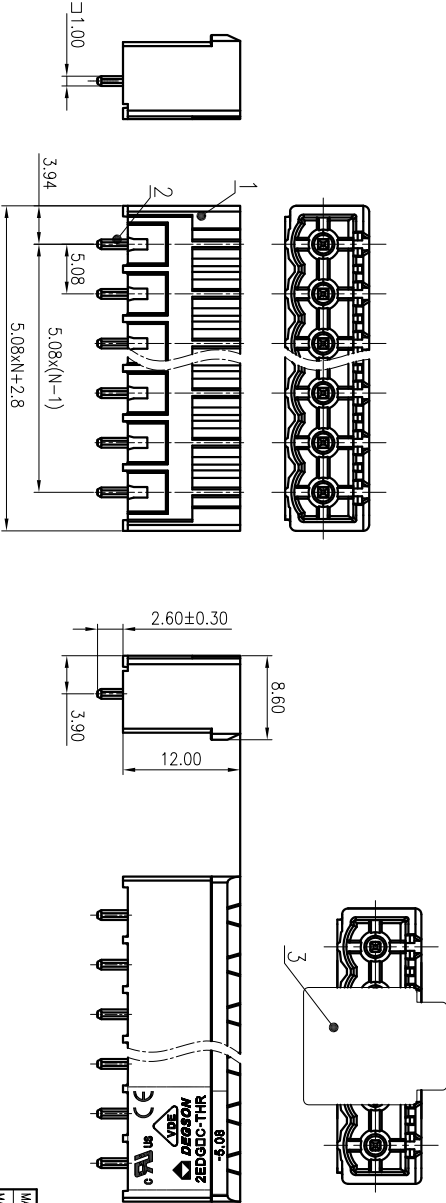
尺寸表/General Dimension(mm)	
0	>3
3	6
6	10
10	18
18	30
30	50
50	80
80	120
120	180
180	250
250	315
315	400
400	500
500	>500
>500	0.1/0
0.1/0	±7



文警中心  
研发专用  
2020.05.20  
(仅限内部使用, 请勿无效)



PRODUCTOR DRAWING



ITEM	NAME OF PART	MATERIAL	NOTES
3	Cap	Thermoplastic	UL94V-0
2	Pin	Copper	Sn Plated
1	Housing	Thermoplastic	UL94V-0

UL 标准/UL Standard:	B	C	D
额定电压/Rated Voltage(V)/Current(A)	300/15	/	300/10
EC 标准/EC Standard:			
过压类别/Overvoltage Category/污染等级	III/3 III/2 II/2		
额定电压/电涌/Rated Voltage(V)/Current(A)	320/20	/	/
额定电涌电压(KV)/Rate Impulse Voltage(kV)	4.0	/	/
间距/Pitch(mm)/线数范围/Polis	5.08/N=N=02~12P	/	/
使用温度范围/Operating temperature(°C)	-40~+130	/	/
符合RoHS环保要求/Conform to RoHS	Yes		

REV	ECN	DESCRIPTION	DRT	DATE
12		Change the drawing frame	ZHYF	2020.05.19
11	17-0015	Design Change	CNZ	2017.02.07

MATERIAL:	
MAT NO.:	
STATUS:	
NAME:	宁波德松电子有限公司
APPR:	LanChH2020.05.20
CHKD:	GongYZZ2020.05.20
DEFI:	WL 2015.11.19
SIZE:	A3
SCALE:	2:1
SHEET:	1/1