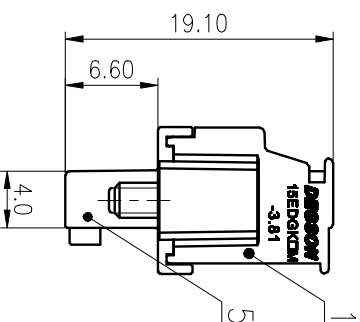
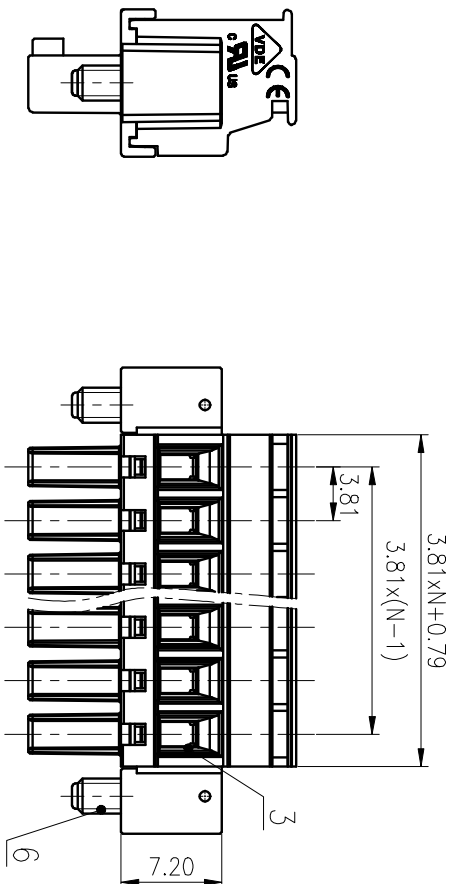
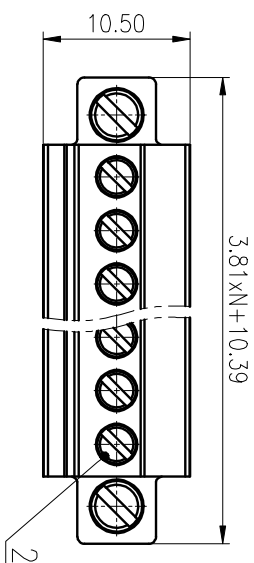
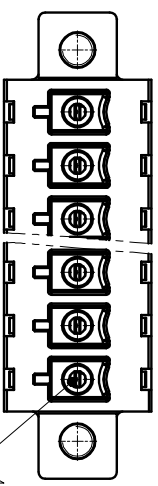


精度等级/General Tolerances(mm)		公差等级/General Tolerances(mm)										公差等级/General Tolerances(mm)	
0	>3	>6	>10	>18	>30	>50	>80	>120	>180	>250	>315	>400	0.1/10
~	~	~	~	~	~	~	~	~	~	~	~	~	±Z
3	6	10	18	30	50	80	120	180	250	315	400	500	±Z
±0.12	±0.18	±0.22	±0.26	±0.31	±0.37	±0.57	±0.80	±1.05	±1.15	±1.60	±2.20	±2.50	±Z



ITEM	NAME OF PART	MATERIAL	NOTES
1	Housing	PA66	UL94V-0
2	Screw 1	Steel	M2/Zn Plated
3	Cage	Copper Alloy	M2/Ni Plated
4	Clamp	Copper Alloy	Sn Plated
5	Cover	PA66	UL94V-0
6	Screw 2	Steel	M2.5/Zn Plated



MATERIAL: SURFACE: Yes

MAT NO.: /
 STATUS: /
 APPD: Lan CHH 2020.05.26
 CHKD: Yu JZh 2020.05.26
 DRAFT: CenK 2020.05.26

NAME: 15EDGKBM-3.81-XXP-1Y-100A(H)
 DRAWING NO.: 10002025

TYPE: CUSTOMER DRAWING
 SCALE: 2:1
 SHEET: 1/1

REV	ECN	DESCRIPTION	DRAFT	DATE	SIZE: A4	SCALE: 2:1	REV	T0
1								
2								
3								
4								
5								
6								

D
C
B
A

D
B
A

1 2 3 4 5 6

NINGBO DEGSON ELECTRICAL CO., LTD
 宁波高松电子有限公司