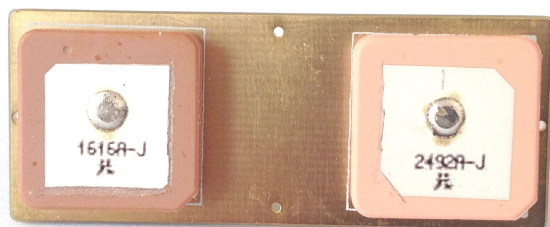


APPROVAL SHEET

PRODUCT NAME	CUSTOMER APPROVED BY
JCA216	
CUSTOMER NAME OR MODEL	APPROVED DATE

SPECIFICATION /规格书



Part Number: JCA216

Product Name: BEIDOU I Antenna

VERSION INFORMATION

VERSION	DATE	REVISION DESCRIPTION	PREPARED	CHECKED	APPROVED
V1.0	2014-9-30	New Issued			

PREPARED BY	CHECKED BY	APPROVED BY
ston	傅胜明	陈小忠

1. Electrical Characteristics/电气参数

Item		Specifications
Antenna	Frequency Range/频率范围	L:1615.68±4.08MHz S:2491.75±4.08MHz
	Band Width/带宽	L>10MHz S>80MHz
	Polarization/极化	L:LHCP S:RHCP
	Gain/增益	L≥-6dBic (仰角 20° ~90°) S≥-4dBic (仰角 20° ~90°)
	V.S.W.R/电压驻波比	≤1.5:1
	Impedance/阻抗	50 Ω
	Axis Ratio/法向轴比	≤4dB
	Isolation/隔离度	≥15dB

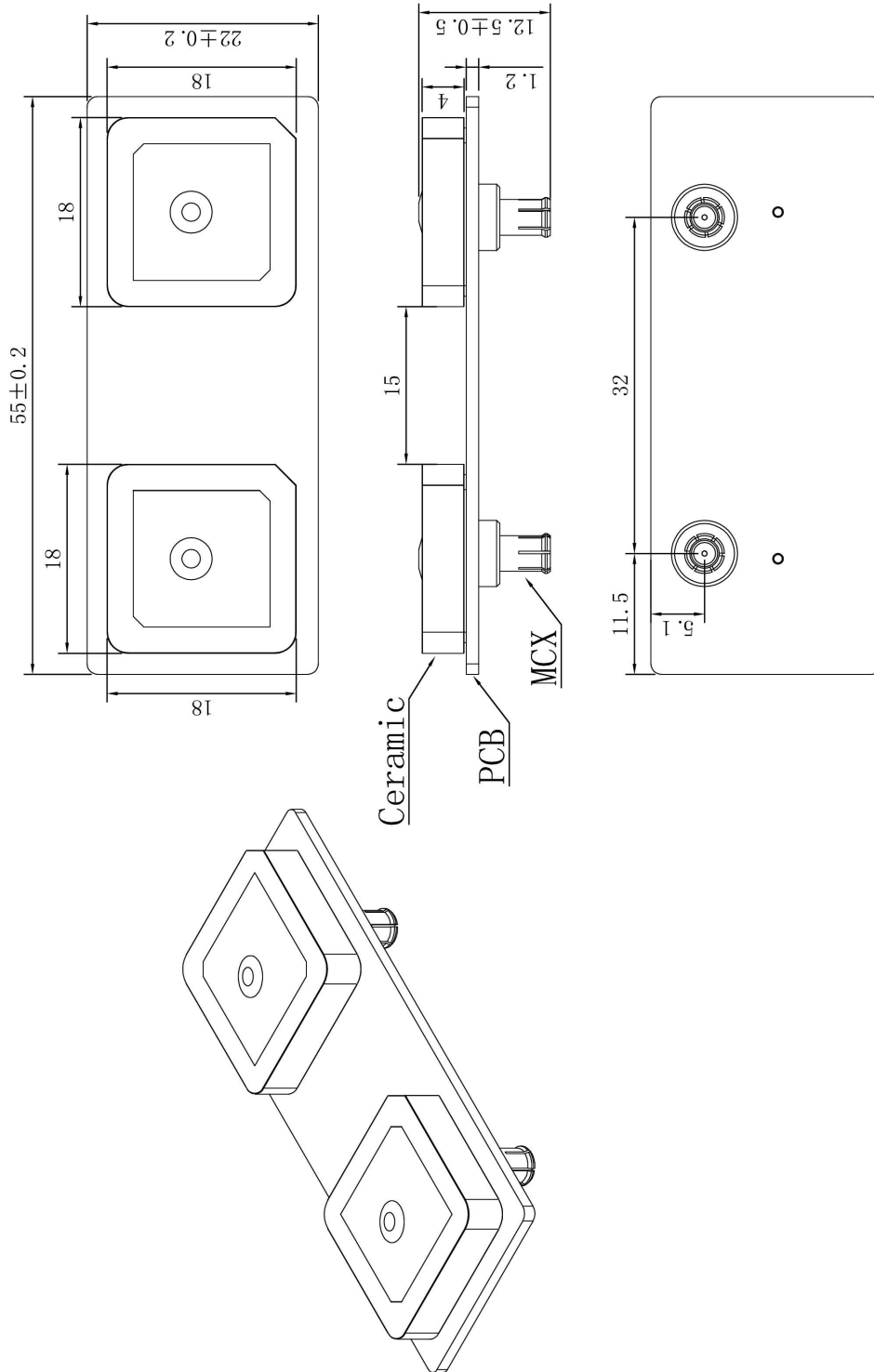
2. Material/材质

Item		Specifications
	RF Connector/射频连接器	MCX
	PCB Material/线路板材料	FR4
	Antenna/天线	Dielectric Ceramics/介质陶瓷

3. Environmental Conditions/环境条件

Item		Specifications
Environmental	Operating Temperature/工作温度	-40℃~+80℃
	Storage Temperature/储存温度	-40℃~+85℃
	Vibration	10to55Hz with 1.5mm amplitude 1 hours
	Relative Humidity/相对湿度	Up to 95%

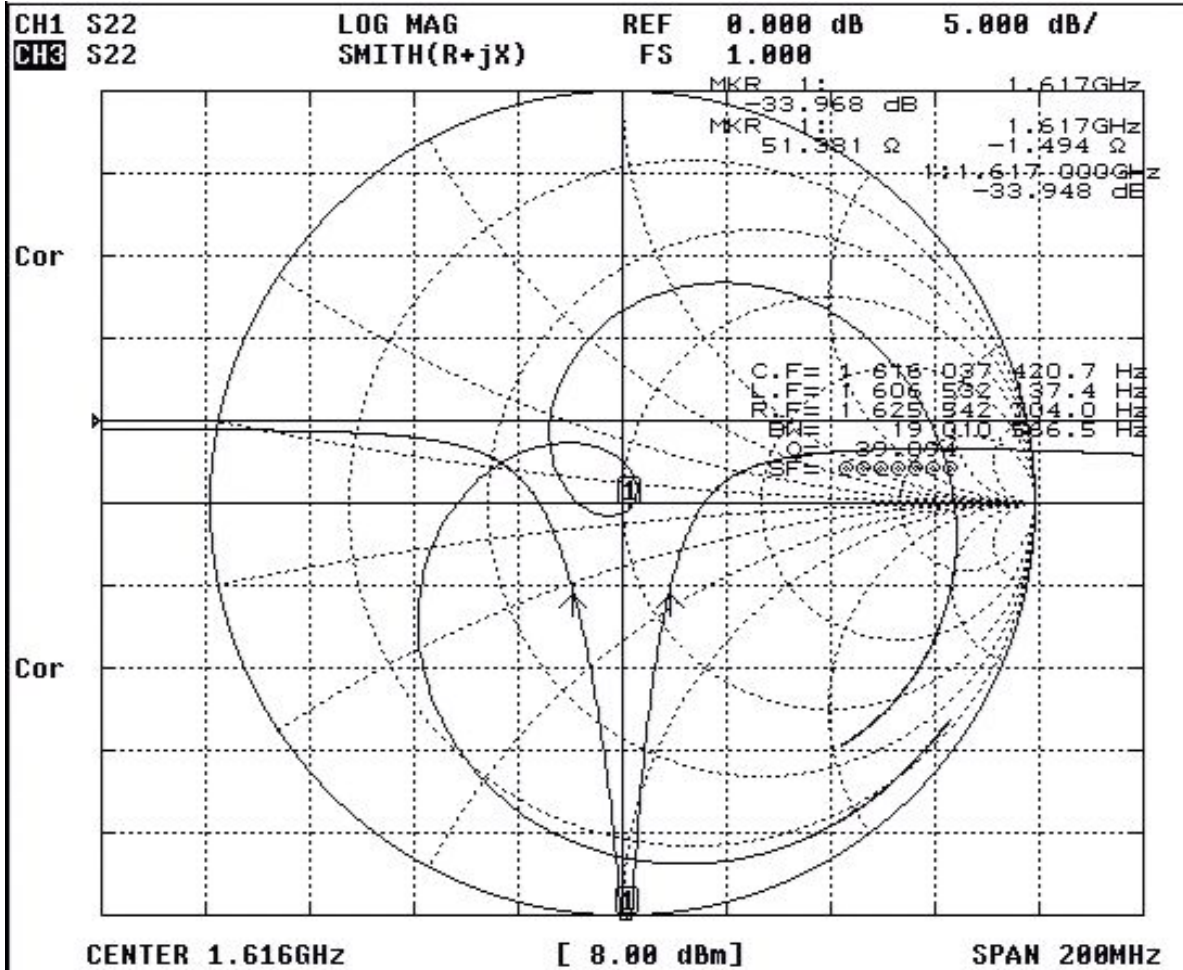
4. Structure/成品结构图



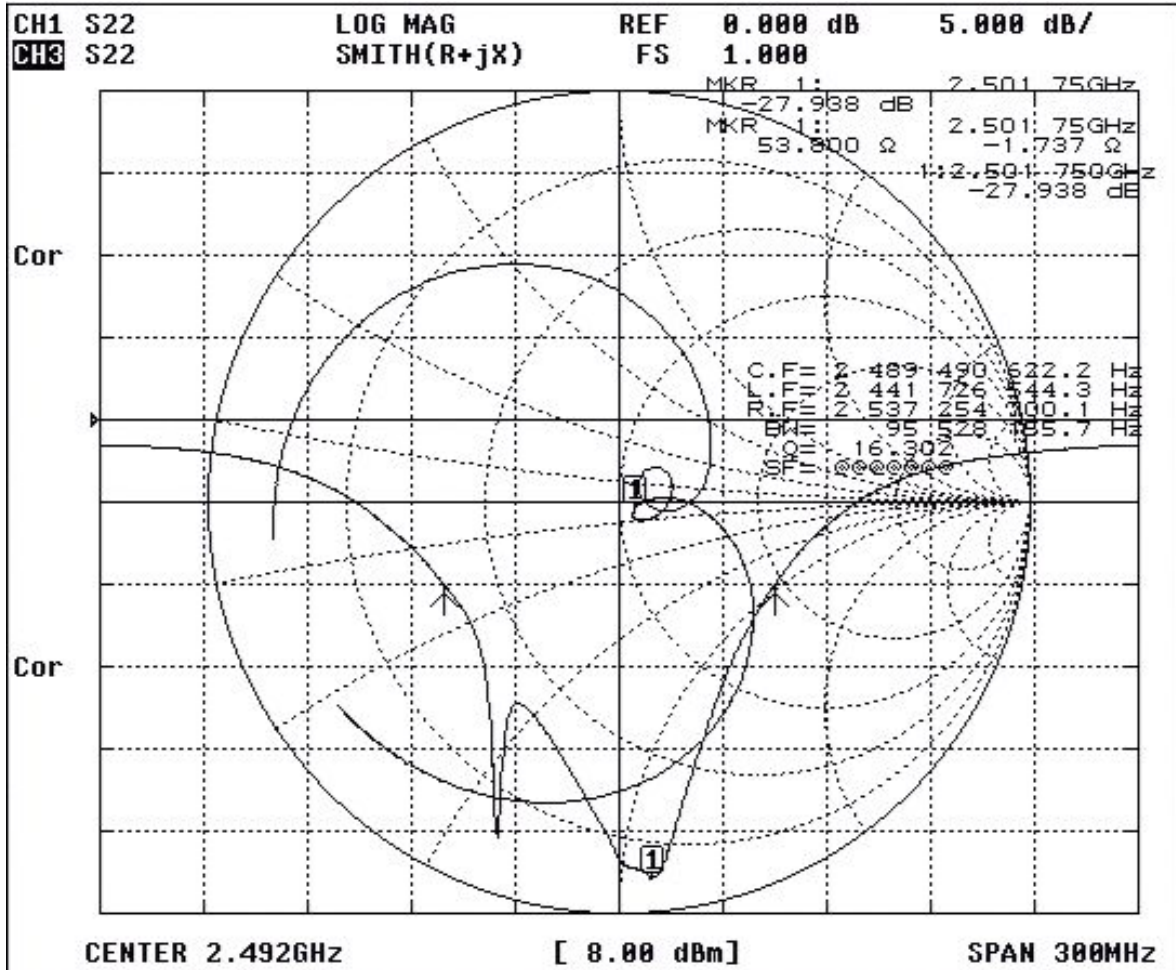
Unit:mm

5. Test/测试

L band Smith&Return loss:



S band Smith&Return loss:



Isolation:

