

Preliminary Specification



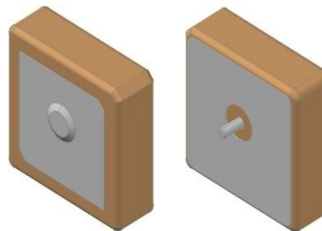
Patch Antenna JLT1575-1602S10P4B

Feature

High gain , Compact

Pin type

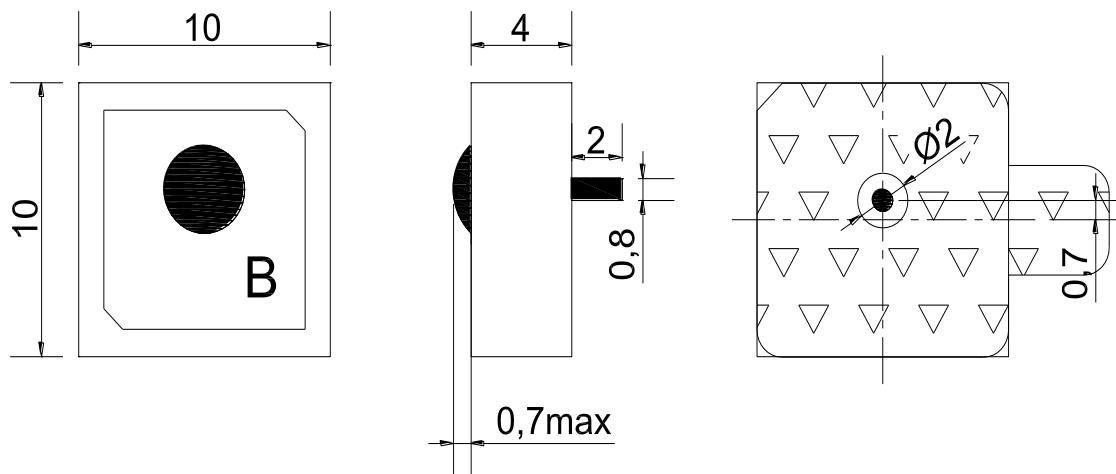
Customization available



Electrical Specification

Center Frequency	1575.42 ± 3.0 MHz	1602 ± 3.0 MHz
Return Loss @ F0	≥15 dB	
Bandwidth @ 10dB Return loss	≥4 MHz	
Polarization	RHCP	
Gain @ Zenith	-	
Ground plane	10x10 mm	
Impedance	50 Ω	
Frequency Temperature Coefficient	±20 ppm/°C	
Operation Temperature Range	-40 ~ +85°C	

Mechanical Drawing



Tolerance:±0.30
Unit: mm