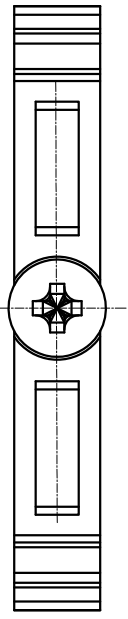
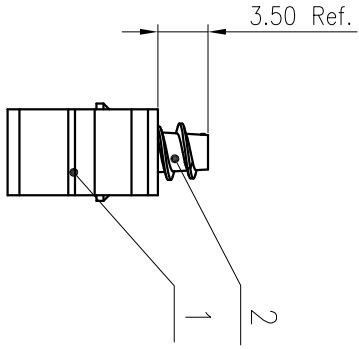
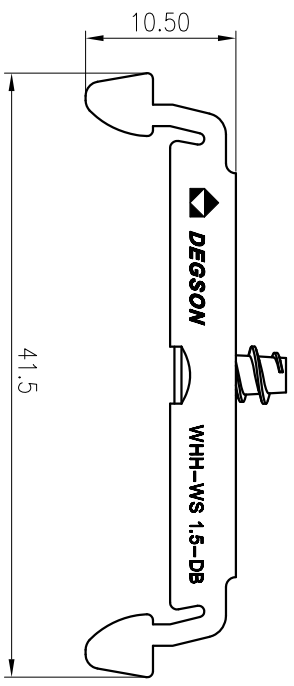
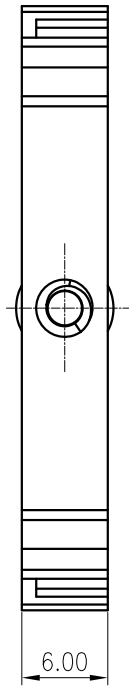


公差表/General tolerances(mm)												0.1/1.0		
0	>3	>6	>10	>18	>30	>50	>80	>120	>180	>250	>315	>400	√	
~	~	~	~	~	~	~	~	~	~	~	~	~		
3	6	10	18	30	50	80	120	180	250	315	400	500	±0.1/±1.0	
±0.12	±0.18	±0.22	±0.26	±0.31	±0.37	±0.57	±0.80	±0.93	±1.09	±1.15	±1.60	±2.20	±2.50	±0.2



ITEM	NAME OF PART	MATERIAL	NOTES
2	Screw	Steel	Zn Plated
1	Housing	PA66	UL94V-0

拧紧扭矩/Torque Tightening(N·m/Lb·in) M3, 0.5/4.43  
 材料/Pitch(mm)/线数范围/Poles 6.0/01P  
 使用温度范围/Operating Temperature(°C) -40~+105  
 符合RoHS环保要求/Conform to RoHS Yes

MATERIAL: SURFACE:

MAT NO.: /  
 STATUS: /  
 APPD: LI GL 2020.06.10  
 CHKD: Mao J 2020.06.10  
 NAME: **DEGSON**® NINGBO DEGSON ELECTRICAL CO., LTD  
 宁波高松电子有限公司

NAME: WHH-WS 1.5-DB-01P-1Y-00A(H)  
 DRAWING NO.: WHH-WS 1.5-DB-C01  
 DRAFT: Feng X 2020.06.09  
 TYPE: CUSTOMER DRAWING

SIZE: A4  
 SCALE: 1:1  
 SHEET 1/1

REV	ECN	DESCRIPTION	DRAFT	DATE