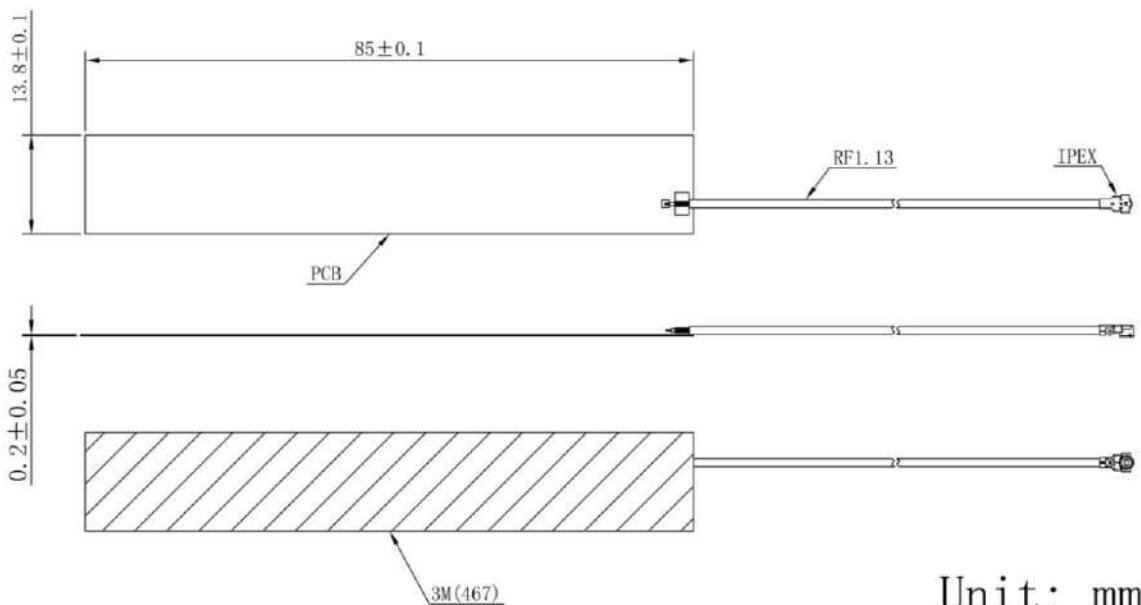


LTE Internal Antenna JCG155L



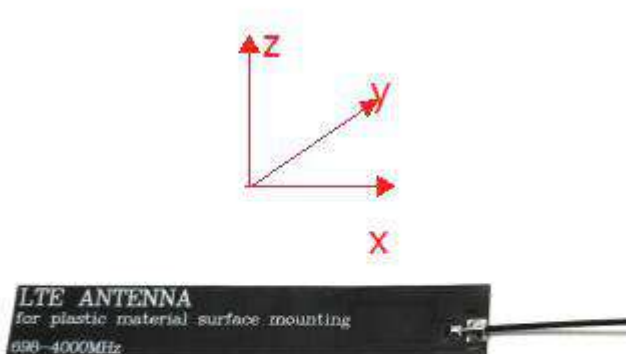
DIMENSIONS

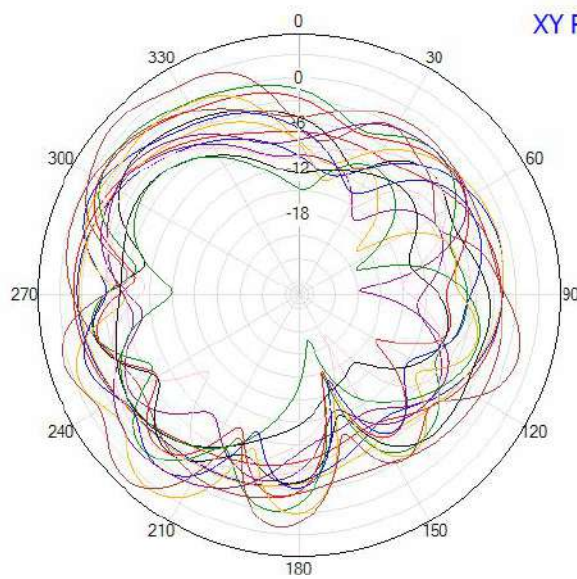


Unit: mm

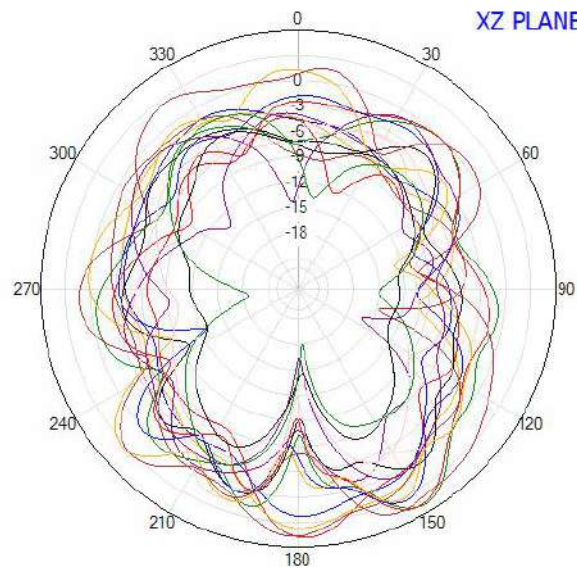
SPECIFICATIONS

Item		Specifications
Antenna	Frequency Range	698~4000MHz
	Polarization	Linear
	Gain	1.2dBi@698MHz 5.2dBi@1710MHz 2.7dBi@3300MHz
	V.S.W.R	<3.0
	Impedance	50 Ω
	FPC Dimension	85*13.8*0.2mm
	Mechanical	Cable
	Connector	IPEX
	Mounting Method	Adhesive&Embedded
Environmental	Operating Temperature	-40°C~+85°C
	Vibration	10 to 55Hz with 1.5mm amplitude 2hours
	Environmentally Friendly	ROHS Compliant

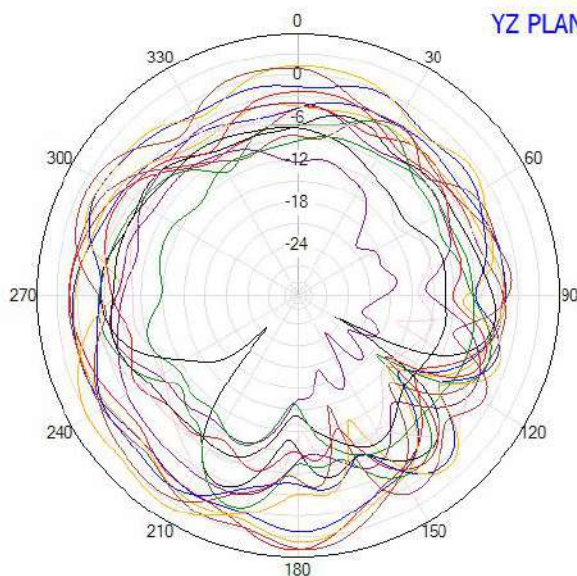
Radiation Pattern



- 1710MHz
- 1850MHz
- 1990MHz
- 2170MHz
- 2300MHz
- 2400MHz
- 2500MHz
- 2690MHz
- 3300MHz
- 3500MHz
- 3600MHz
- 3800MHz
- 698MHz
- 824MHz
- 868MHz
- 960MHz



- 1710MHz
- 1850MHz
- 1990MHz
- 2170MHz
- 2300MHz
- 2400MHz
- 2500MHz
- 2690MHz
- 3300MHz
- 3500MHz
- 3600MHz
- 3800MHz
- 698MHz
- 824MHz
- 868MHz
- 960MHz



- 1710MHz
- 1850MHz
- 1990MHz
- 2170MHz
- 2300MHz
- 2400MHz
- 2500MHz
- 2690MHz
- 3300MHz
- 3500MHz
- 3600MHz
- 3800MHz
- 698MHz
- 824MHz
- 868MHz
- 960MHz