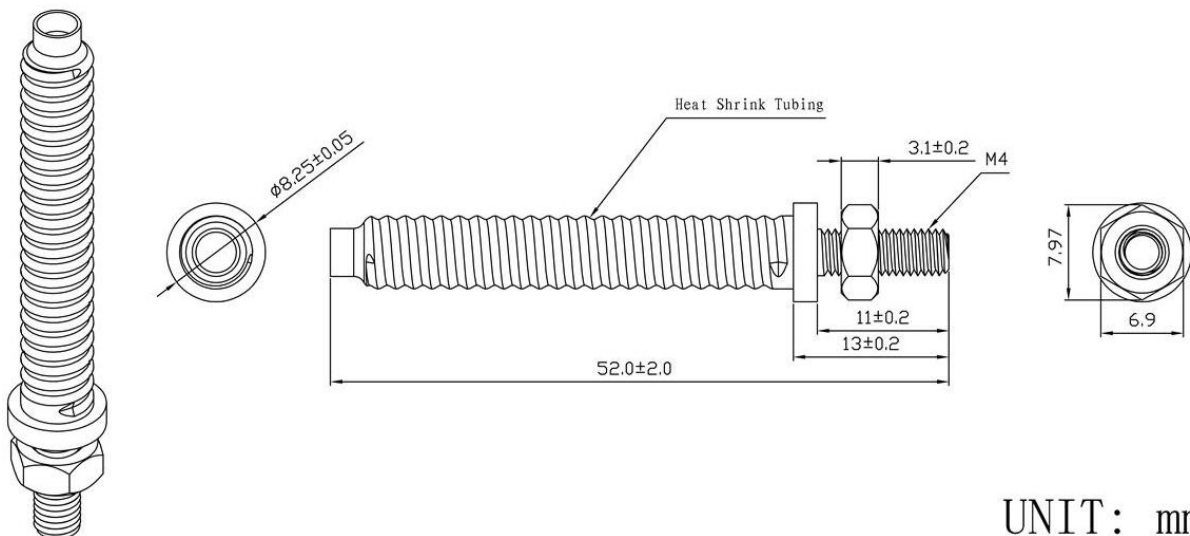


433MHz Internal Spring Antenna JCD719



DIMENSIONS



UNIT: mm



Jinchang Electron Global Service

SPECIFICATIONS

Item	Specifications	
Antenna	Center Frequency	433MHz
	Band Width	CF \pm 5MHz
	Polarization	Linear
	Impedance	50 Ω
	Gain	2dBi (Zenith)
	V.S.W.R (min)	<2.5
Mechanical	Material	Spring:Phosphor Copper/Screw:Brass
	Dimension	52* Φ 8.25mm
	Mounting Method	Screw
Environmental	Vibration	10 to 55Hz with 1.5mm amplitude 2hours
	Environmentally Friendly	ROHS Compliant

JIAXING JINCHANG ELECTRONIC TECHNOLOGY CO.,LTD

Add: 398#,Zhenye Road, South Street, Jiaxing, Zhejiang, China

Http:// www.jinchanggps.com

E-mail:jcgps@vip.163.com

Tel: 86-0573-83692157/83692605/83958637 Fax:86-0573-83958635