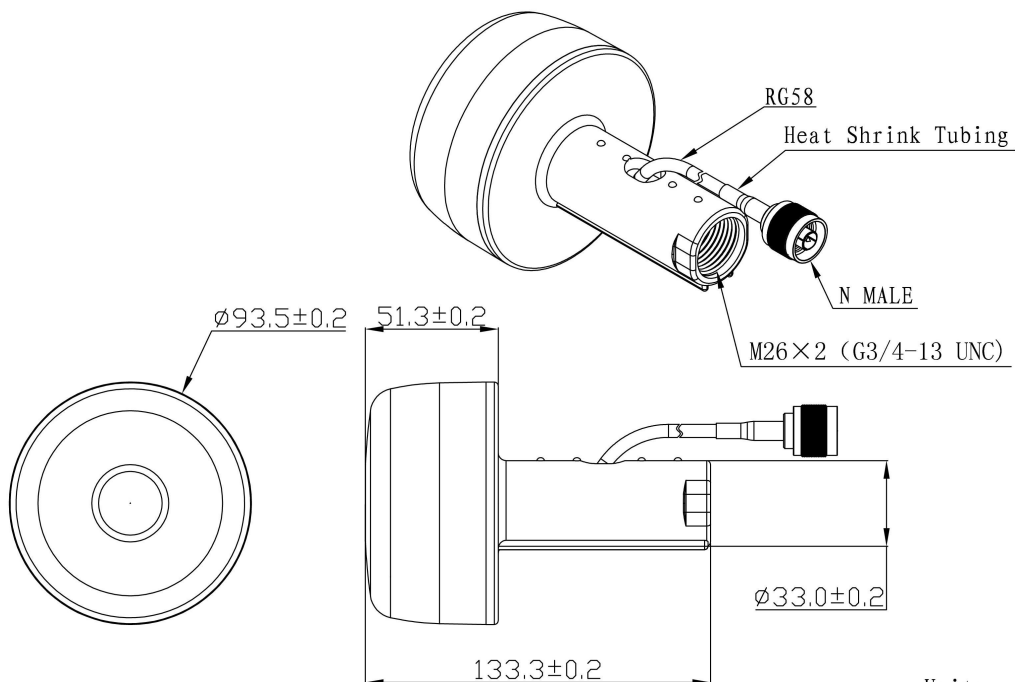


GPS&COMPASS Active Navigation Antenna JCA005



DIMENSIONS



Unit: mm

JIAXING JINCHANG ELECTRONIC TECHNOLOGY CO.,LTD

Add: 398#, Zhenye Road, South Street, Jiaxing, Zhejiang, China

Http:// www.jinchanggps.com

E-mail: jcgps@vip.163.com

Tel: 86-0573-83692157/83692605/83958637 Fax: 86-0573-83958635

SPECIFICATIONS

Item	Specifications	
Antenna	Frequency Range	1561.098~1575.42MHz
	Band Width	CF±5MHz
	Polarization	RHCP
	Gain	5dBic (Zenith)
	V.S.W.R	<1.5
	Impedance	50 Ω
LNA	Gain	38±2dB
	Noise Figure	<1.5dB
	Supply Voltage	3~5V DC
	Current Consumption	<40mA
	V.S.W.R	<2.0
Mechanical	Cable	RG58 or others
	Connector	N or others
	Radome Material	ABS
	Mounting Method	Screw
Environmental	Operating Temperature	-40℃~+85℃
	Relative Humidity	Up to 95%
	Ingress Protection	IP67
	Vibration	10 to 55Hz with 1.5mm amplitude 2hours
	Environmentally Friendly	ROHS Compliant

Radiation Pattern

