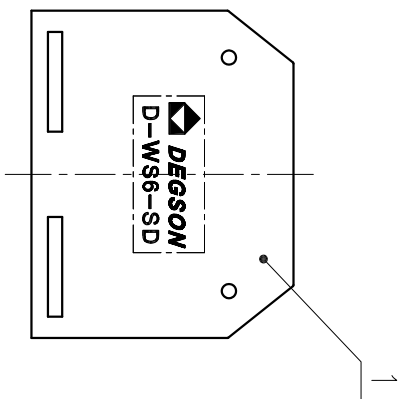
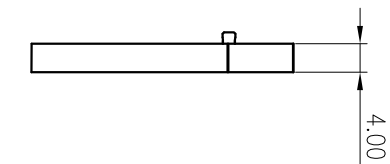
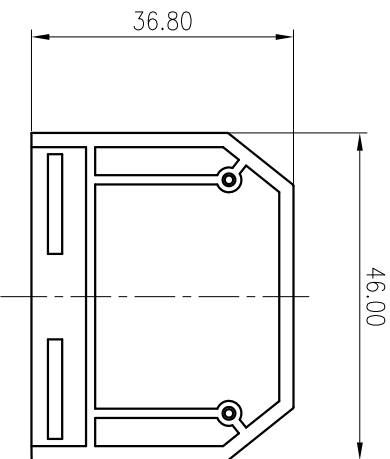
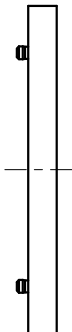


公差/General Tolerances(mm)		0.1/10
0	>3	±27
~	>6	
~	>10	
~	>18	
3	6	±27
~	10	
~	18	
~	30	
~	50	
~	80	
~	120	
~	180	
~	250	
~	315	
~	400	
~	500	
~	>500	
±0.12	±0.18	±2.50
±0.22	±0.26	
±0.31	±0.37	
±0.57	±0.80	
±0.93	±1.05	
±1.15	±1.60	
±2.20	±2.50	



ITEM	NAME OF PART	MATERIAL	NOTES
1	Cover	PA66	UL94V-0

使用温度范围/Operating Temperature(°C) ..... -40~+105  
 符合RoHS标准要求/Conform to RoHS ..... Yes  
 标准颜色编号/Standard color number: .....  
 PANTONE /RAL /

MATERIAL: / SURFACE: /

MAT NO.: /  
 STATUS: /  
**DEGSON®** 宁波高松电子有限公司  
 NINGBO DEGSON ELECTRICAL CO., LTD

NAME: **D-WS6-SD-01P-11-00A(H)**

APPD: Li GL 2020.06.06  
 CHKD: Mao J 2020.06.06  
 DRFT: Wang Y 2020.06.06  
 DRAWING NO.: D-WS6-SD-C01  
 TYPE: CUSTOMER DRAWING

REV	EON	DESCRIPTION	DRFT	DATE	SCALE	SHEET
					2:1	1/1

