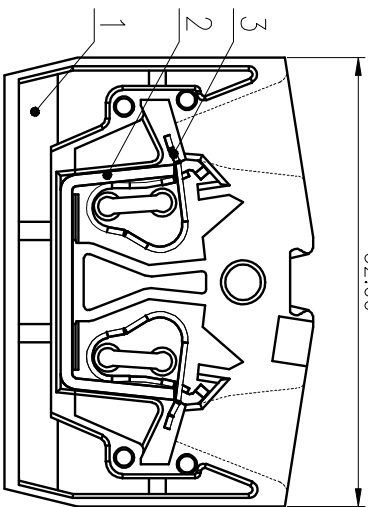
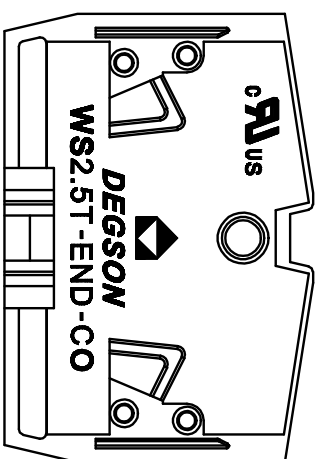
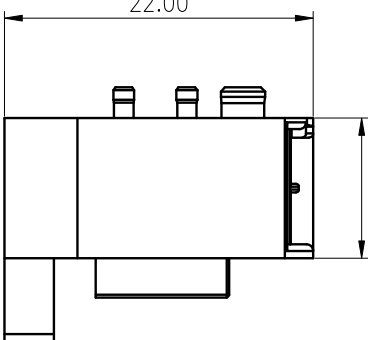


32.00

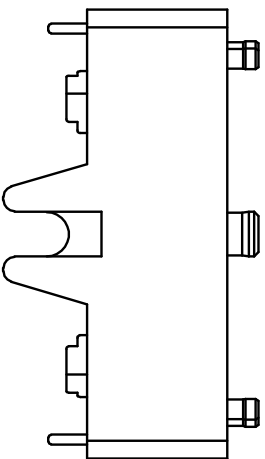


22.00

10.00



精度等级/General Tolerances(mm)												0.1/1/10		
0	>3	>6	>10	>18	>30	>50	>80	>120	>180	>280	>315	>400	±Z	
~	~	~	~	~	~	~	~	~	~	~	~	~		
3	6	10	18	30	50	80	120	180	280	315	400	500		
±0.12		±0.18	±0.22	±0.26	±0.31	±0.37	±0.57	±0.80	±0.93	±1.05	±1.15	±1.60	±2.20	±2.50



D

C

B

A

ITEM	NAME OF PART	MATERIAL	NOTES
3	Spring	Stainless steel	/
2	Current carrier	Copper	Sn Platte
1	Housing	PA66	UL94V-0

REV	ECN	DESCRIPTION	DRAFT	DATE
1				
2				
3				

MATERIAL: /	SURFACE: /
MAT NO.: /	
STATUS: /	
APPD: LI GL 2020.05.29	NAME: <b>DEGSON® NINGBO DEGSON ELECTRICAL CO., LTD</b>
CHKD: MGO J 2020.05.29	<b>WS2.5T-END-CO-01P-1Y-00A(H)</b>
DRAFT: ZhengQG 2020.05.29	DRAWING NO.: WS2.5T-END-CO-C01
SIZE: A4	TYPE: CUSTOMER DRAWING
SCALE: 2:1	SHEET 1/1

UL 标准/UL Standard:	B	C	D
额定电压/电涌/Rated Voltage(V)/Current(A)	600/20	600/20	600/5
EC 标准/EC Standard:			
过压类别/Overvoltage Category/污秽等级/Pollution Degree	III/3	/	/
额定电压/电涌/Rated Voltage(V)/Current(A)	800/24	/	/
额定脉冲电压(KV)/Rate Impulse Voltage(KV)	8	/	/
线径范围(硬线和软线)/Wire Range(rigid and flexible)(mm² /AWG)	0.2~2.5/28~12(So)		
厚度/Pitch(mm)	10.0		
剥线长度/Stripping length(mm)	8~9		
使用温度范围/Operating Temperature(°C)	-40~+105		
符合RoHS环保要求/Conform to RoHS	Yes		
标准颜色编号/Standard color number:			
PANTONE / RAL	/		

C

B

A

D