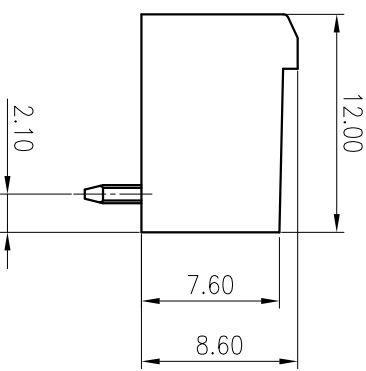
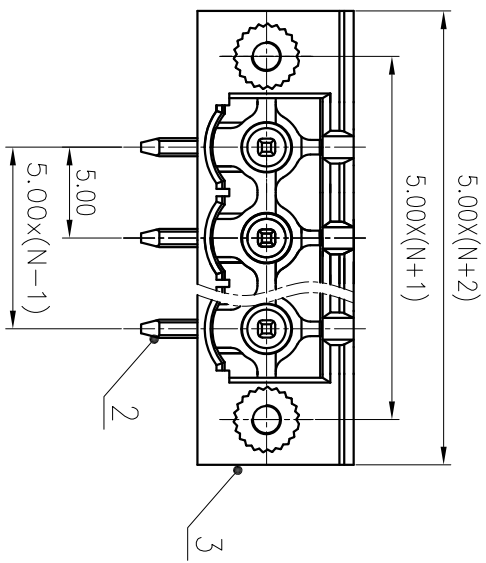
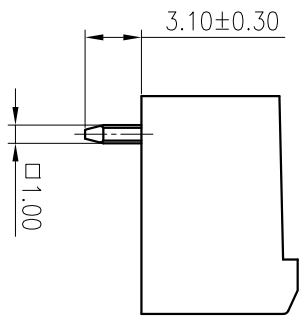
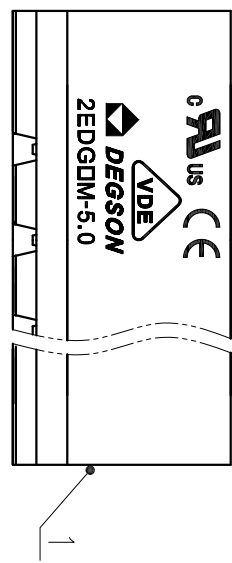
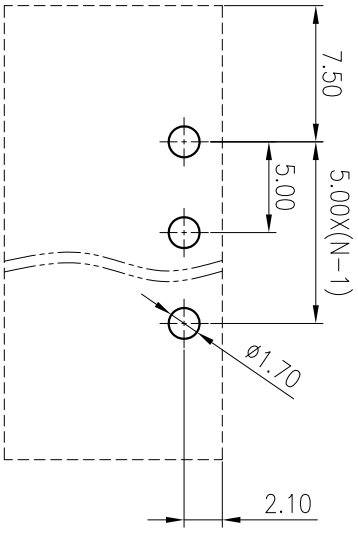


标注公差/General tolerances(mm)		0	>3	>6	>10	>18	>30	>50	>80	>120	>180	>250	>315	>400	>500	0.1/10
~	~	~	~	~	~	~	~	~	~	~	~	~	~	~	~	~
±0.12	±0.18	±0.22	±0.26	±0.31	±0.37	±0.57	±0.80	±0.93	±1.05	±1.15	±1.60	±2.20	±2.50	±2.50	±2	±2



PCB LAYOUT



3	Nut	Copper alloy	M2.5
2	Pin header	Copper	Sn Plated
1	Housing	PA66	UL94V-0
ITEM	NAME OF PART	MATERIAL	NOTES
UL 标准/UL Standard:	B	C	D
额定电压/Rated Voltage(V)	300/15	/	300/10
EC 标准/IEC Standard:			
过压类别/Overvoltage Category/污染等级/Pollution Degree	III/3	III/2	II/2
额定电压/电流/Rated Voltage(V)/Current(A)	/	320/20	/
额定脉冲电压/Rate Impulse Voltage(KV)	/	4	/
间距/Pitch(mm)/线数范围/Poles	5.08/N=02~22P		
使用温度范围/Operating temperature(°C)	-40~+105		
符合RoHS环保要求/Conform to RoHS	Yes		

MATERIAL: / SURFACE: /

MAT NO.: /

STATUS: /

APPD: LanChH 2020.05.16

CHKD: GongYzh 2020.05.16

DRFT: CenSL 2020.05.16

NAME: 宁波高松电子有限公司
NINGBO DEGSON ELECTRICAL CO., LTD

2EDGRM-5.0-XXP-1Y-100A(H)

DRAWING NO.: 10002048

TYPE: CUSTOMER DRAWING

REV	ECN	DESCRIPTION	DRFT	DATE	SIZE	SCALE	REV
1					A4	2.5:1	T0
2							
3							
4							
5							
6							