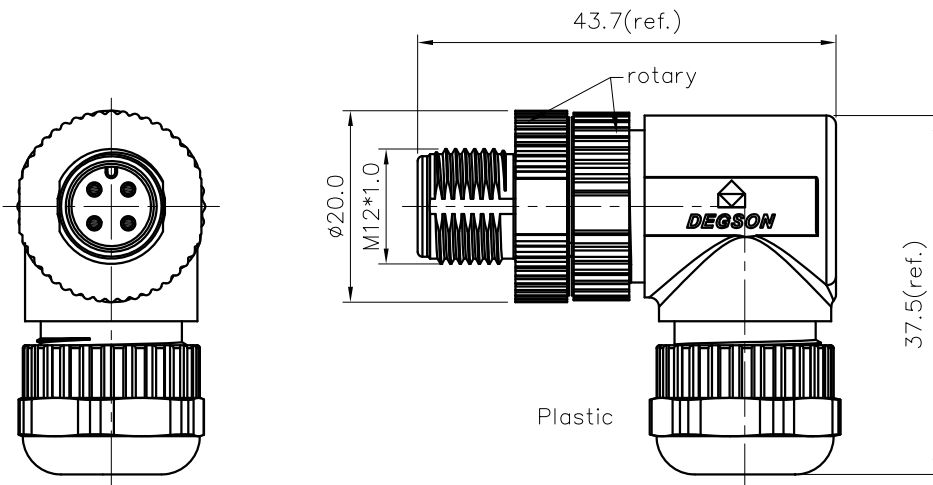


REVISION RECORD

REV	ECN	DESCRIPTION	DRFT	DATE
-----	-----	-------------	------	------



NOTES:

- Rated voltage/current :  
 3pin A: 250V / 4A  
 4pin A: 250V / 4A  
 5pin A: 60V / 4A  
 6pin A: 30V / 2A  
 8pin A: 30V / 2A  
 5pin B: 60V / 4A  
 4pin D: 250V / 4A
- Withstanding voltage :  
 3,4pin A: AC1500V/1Min  
 5pin A: AC1120V/1Min  
 6,8pin A: AC500V/1Min  
 5pin B: AC1120V/1Min  
 4pin D: AC1500V/1Min

3.Levels of protection:IP67

4.Wire range :

- 3pin A: 24~20AWG/0.25~0.52mm<sup>2</sup>
- 4pin A: 24~20AWG/0.25~0.52mm<sup>2</sup>
- 5pin A: 24~20AWG/0.25~0.52mm<sup>2</sup>
- 6pin A: 24~22AWG/0.25~0.34mm<sup>2</sup>
- 8pin A: 24~22AWG/0.25~0.34mm<sup>2</sup>
- 5pin B: 24~20AWG/0.25~0.52mm<sup>2</sup>
- 4pin D: 24~20AWG/0.25~0.52mm<sup>2</sup>

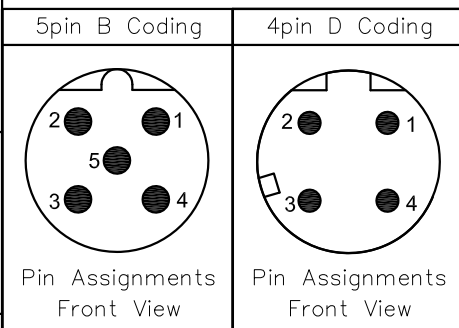
5.Cable OD: 4~8mm

6.Wire connection mode: screw

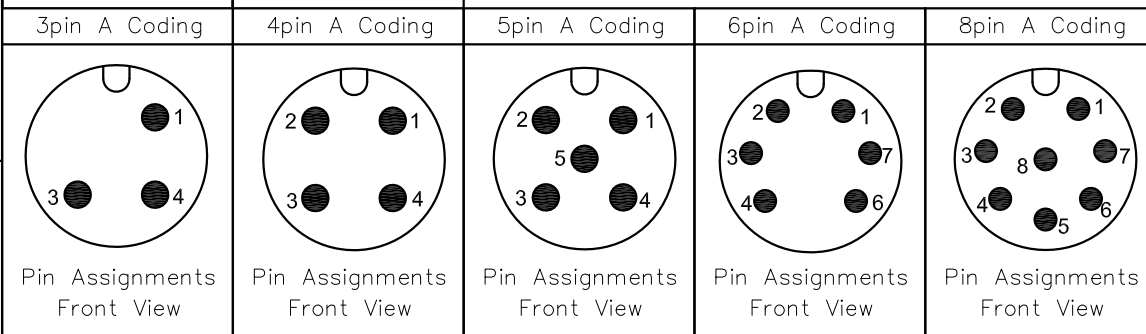
7.Operating temperature: -25°C~+105°C

8.RoHS Compliance

9.Tolerance : ±0.5mm



PB-M12X-XXP-MM-SR7001-00A(H)  
 Coding: A,B,D  
 Pin number: 03,04,05, 06,08



DETACHED LISTS	PART NO.: PBM12XXXPMMSR700100AH	宁波高松电子有限公司 NINGBO DEGSON ELECTRICAL CO., LTD		
	APPD:	NAME: PB-M12X-XXP-MM-SR7001-00A(H)		
	CHKD:	TITLE: CUSTOMER DRAWING		
	DRFT: SQ 2019.05.17	REV: D0-1	SHEET: 1/1	SCALE: 1:1
THIRD ANGLE PROJECTION		DRAWING NO.: XXXXXXXX-XX-CXX (MM (INCH))		DO NOT SCALE DRAWING