

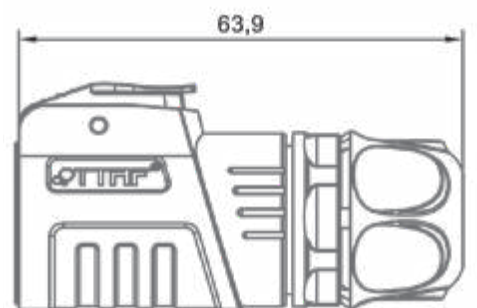
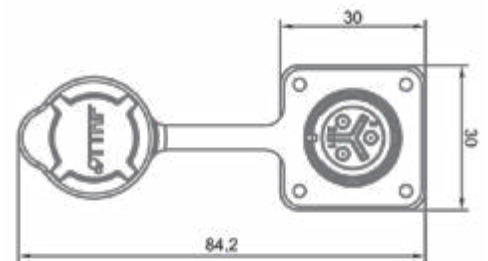
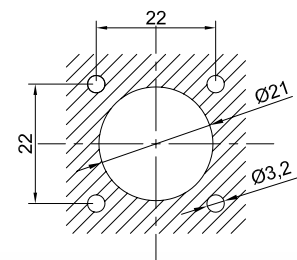
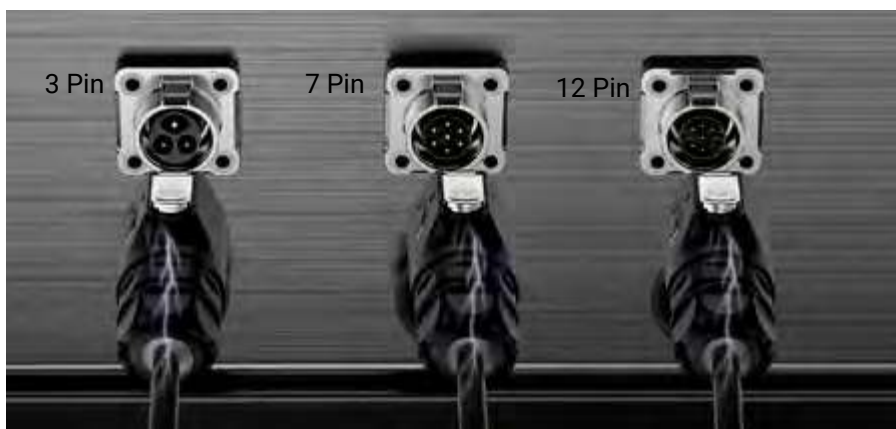


TT20 SERIES

2-3-4-5-7-9-12 Pin Waterproof Connector

Product Code - TT20 Series

EN 60309-1
EN 60695-2
EN 61984-2009



Pin Numbers	2-3-4	5-7	9-12
Operating Voltage	500V.	500V.	400V.
Current Rating	20A.	12A.	5A.
Withstanding Voltage	2500V.	2500V.	1500V.
Contact Resistance	< 1 MΩ	< 2.5 MΩ	< 5 MΩ
Temperature Rise	20A 30°C	12A 30°C	5A 30°C
Temperature Rise	25A 40°C	15A 40°C	7A 40°C
Temperature Rise	30A 50°C	20A 50°C	10A 50°C
Mating Cycle	1700	1700	1700
Seal Material	Silicone	Silicone	Silicone
Contact Dimension	2.7*2-2.7*3-2.7*4	1.8*5-1.8*7	1.0*9-1.0*12
IP Class	IP65/IP67	IP65/IP67	IP65/IP67



Product Code

TT	30	M	03	PE	0	1	001
1	2	3	4	5	6	7	8

1 Product Name	Name Of Product
2 Mounting Size	20 - 25 - 30 - 35
3 Type Of Terminal	M: male, F: female, U: USB, R: RJ45, F: fiber optic
4 Quantity Of Terminal	2 - 3 - 4 - 7 - 9 etc.
5 Category	PE: panel type , SX: cable type
6 Connection Of Wire	0: solder
7 Generation	1
8 Special Code	Material Color

