

## PCB Connector Series

KLS1-3.96A Pitch=3.96mm TYPE

### Electrical Specification:

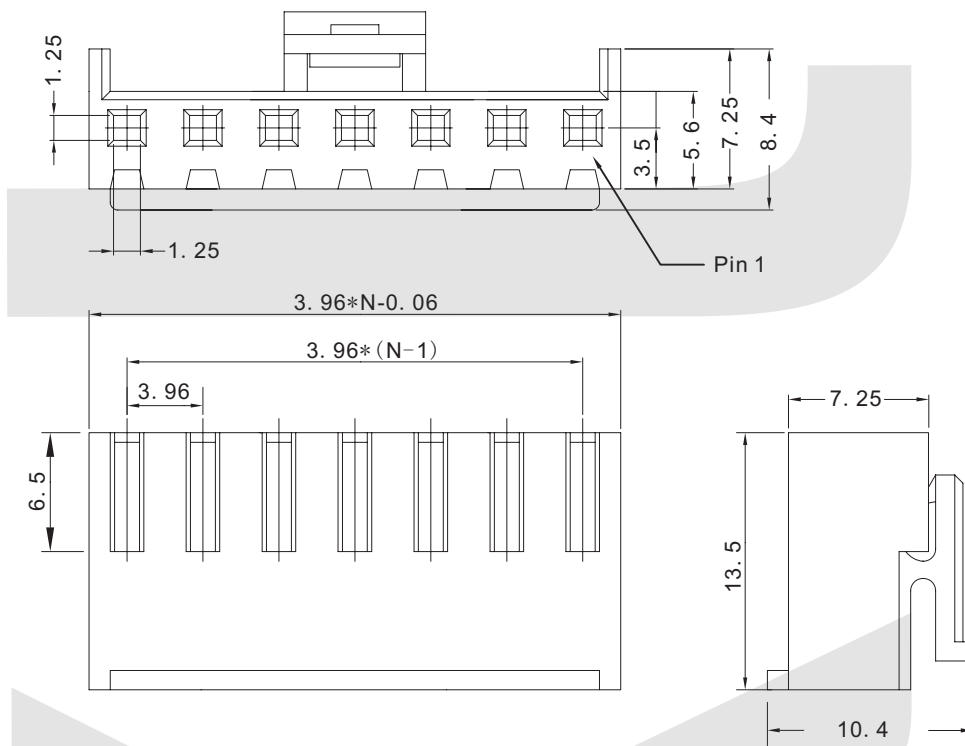
Rated Voltage: 50/250V AC.DC  
 Rated Current: 7A  
 Contact Resistance: 0.02 Ohm max  
 Insulation Resistance: 1000M Ohm min  
 Withstand voltage: 1500V AC/MIN  
 Temperature range for usage : -25°C~+85°C  
 P.C board thickness : 1.6mm

### Material:

Housing: PA66 (PA66) UL94V-2  
 Contacts: Brass or Phosphor Bronze  
 Plating: Tin 50u" over 100u" nickel  
 Wire range : AWG#24#18



### Housing



## ORDER INFORMATION

Product NO.: KLS1-3.96A-XX-H

Pitch: 396A=3.96mm

Type: H=Housing  
S=Straight Male pin

T=Terminal  
R=Right Male pin

PIN Number: 02 ~ 13Pin

## PCB Connector Series

KLS1-3.96A Pitch=3.96mm TYPE

### Electrical Specification:

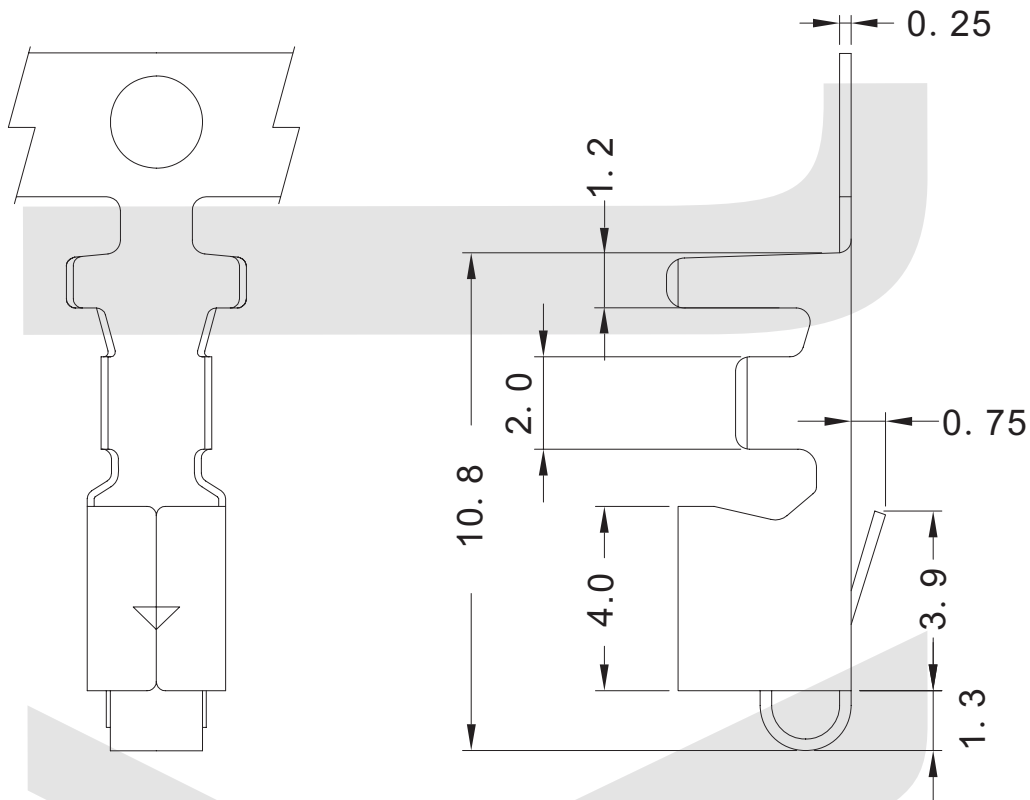
Rated Voltage: 50/250V AC.DC  
Rated Current: 7A  
Contact Resistance: 0.02 Ohm max  
Insulation Resistance: 1000M Ohm min  
Withstand voltage: 1500V AC/MIN  
Temperature range for usage : -25°C~+85°C  
P.C board thickness : 1.6mm

### Material:

Housing: PA66 (PA66) UL94V-2  
Contacts: Brass or Phosphor Bronze  
Plating: Tin 50u" over 100u" nickel  
Wire range : AWG#24#18



### Terminal



## ORDER INFORMATION

Product NO.: KLS1-3.96A-T

Pitch: 396A=3.96mm

Type: H=Housing  
S=Straight Male pin  
T=Terminal  
R=Right Male pin

## PCB Connector Series

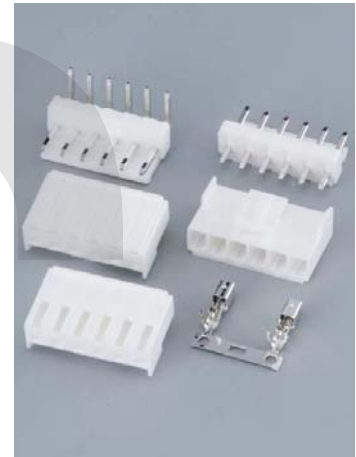
KLS1-3.96A Pitch=3.96mm TYPE

### Electrical Specification:

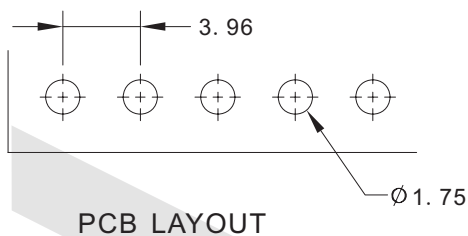
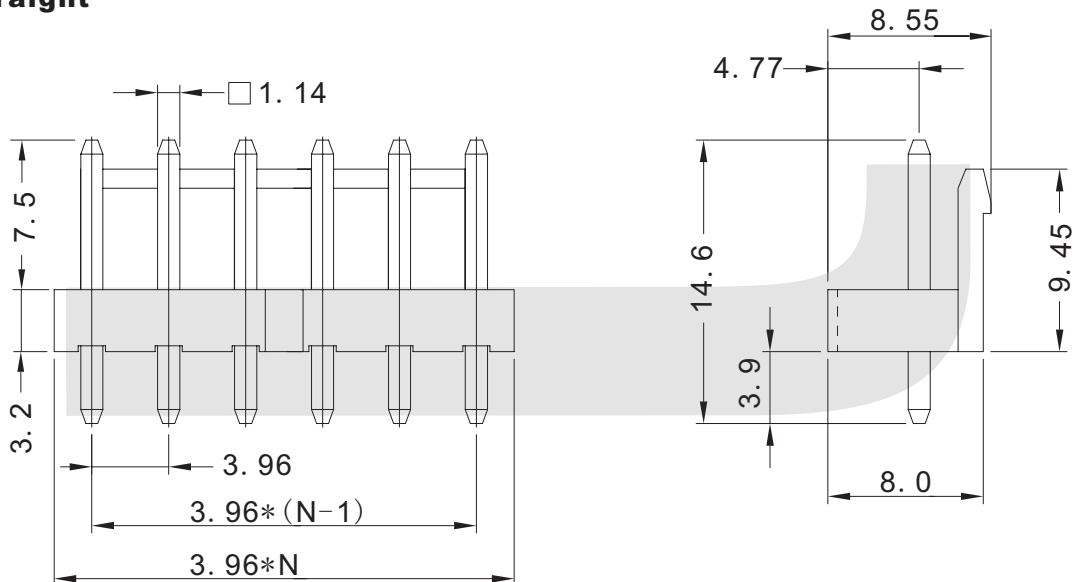
Rated Voltage: 50/250V AC.DC  
 Rated Current: 7A  
 Contact Resistance: 0.02 Ohm max  
 Insulation Resistance: 1000M Ohm min  
 Withstand voltage: 1500V AC/MIN  
 Temperature range for usage : -25°C~+85°C  
 P.C board thickness : 1.6mm

### Material:

Housing: PA66 (PA66) UL94V-2  
 Contacts: Brass or Phosphor Bronze  
 Plating: Tin 50u" over 100u" nickel  
 Wire range : AWG#24#18



### Straight



## ORDER INFORMATION

Product NO.: KLS1-3.96A-XX-S

Pitch: 396A=3.96mm

Type: H=Housing  
S=Straight Male pin

T=Terminal  
R=Right Male pin

PIN Number: 02 ~ 13Pin

## PCB Connector Series

KLS1-3.96A Pitch=3.96mm TYPE

### Electrical Specification:

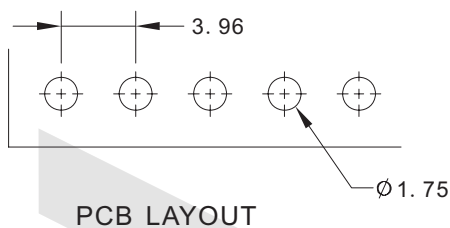
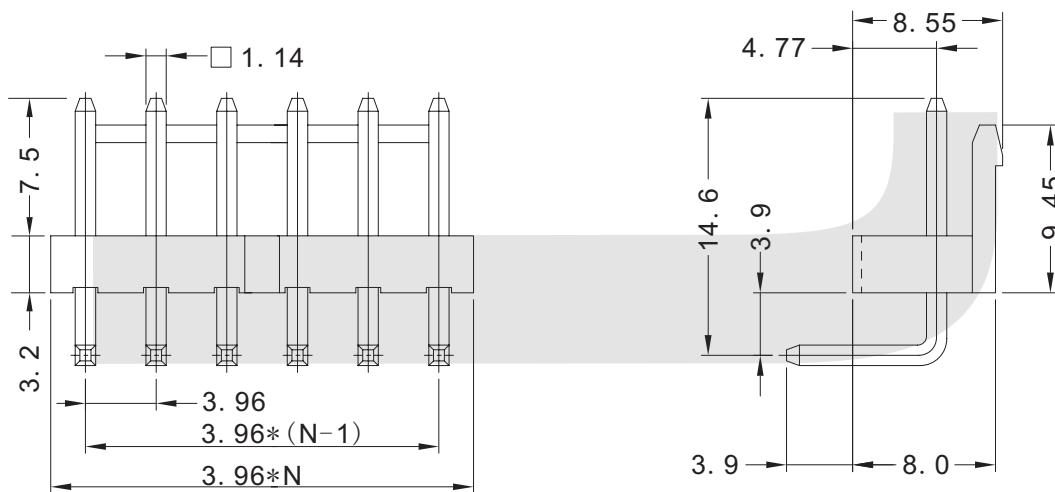
Rated Voltage: 50/250V AC/DC  
 Rated Current: 7A  
 Contact Resistance: 0.02 Ohm max  
 Insulation Resistance: 1000M Ohm min  
 Withstand voltage: 1500V AC/MIN  
 Temperature range for usage : -25°C~+85°C  
 P.C board thickness : 1.6mm

### Material:

Housing: PA66 (PA66) UL94V-2  
 Contacts: Brass or Phosphor Bronze  
 Plating: Tin 50u" over 100u" nickel  
 Wire range : AWG#24#18



### Right angle



## ORDER INFORMATION

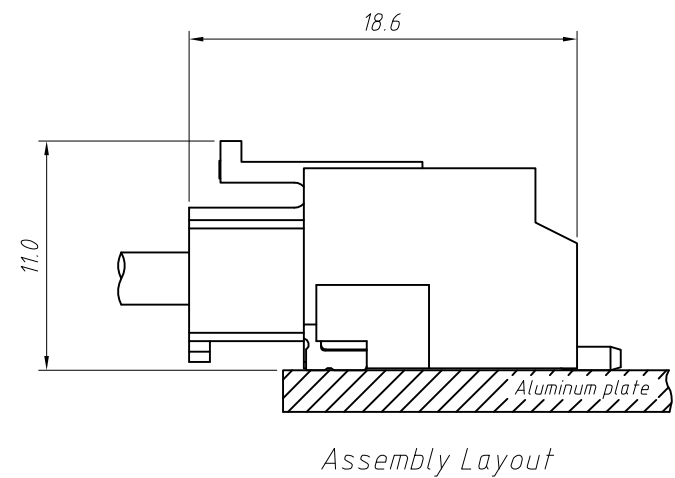
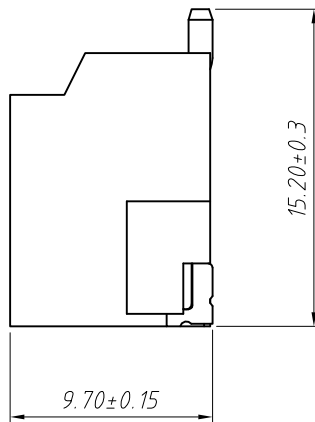
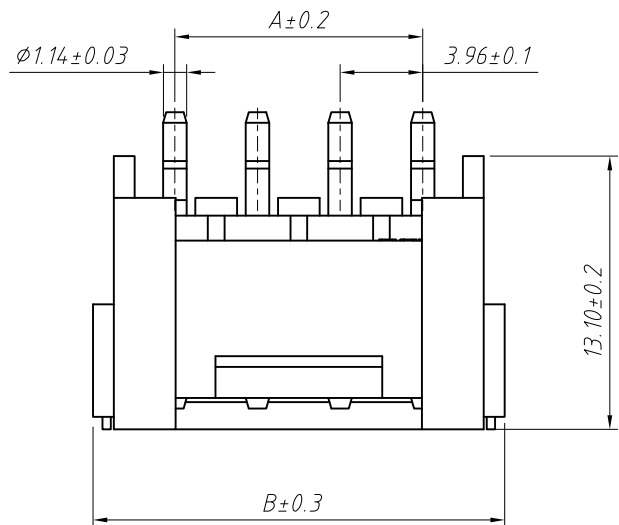
Product NO.: KLS1-3.96A-XX-R

Pitch: 396A=3.96mm

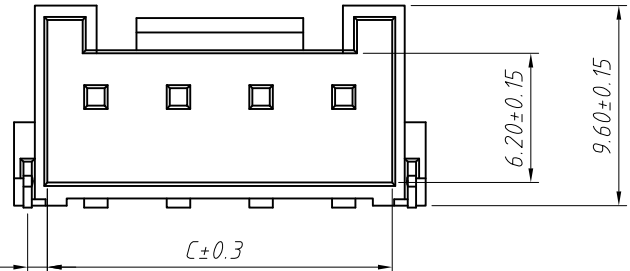
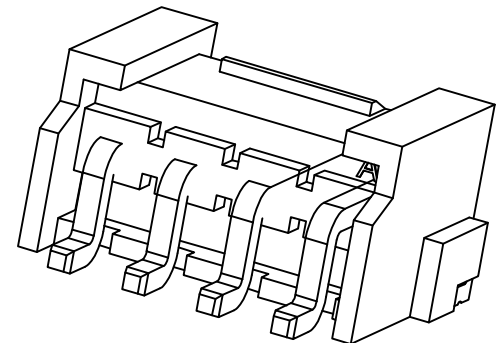
Type: H=Housing  
S=Straight Male pin

T=Terminal  
R=Right Male pin

PIN Number: 02 ~ 13Pin



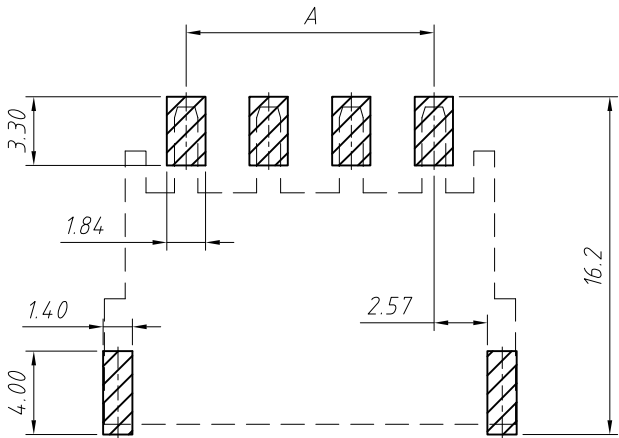
Assembly Layout



**Material:**  
 Insulator: PA6T UL94V-0, Beige  
 Contacts: Brass, Tin Plated  
 Solder Tab: Brass, Tin Plated

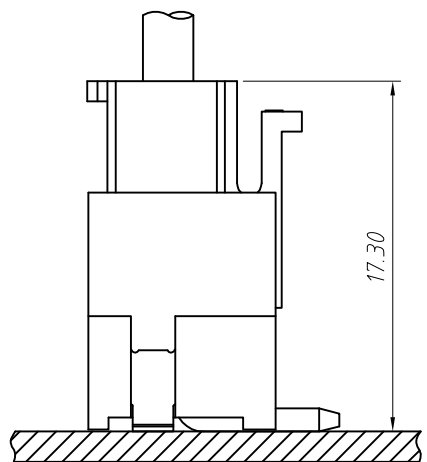
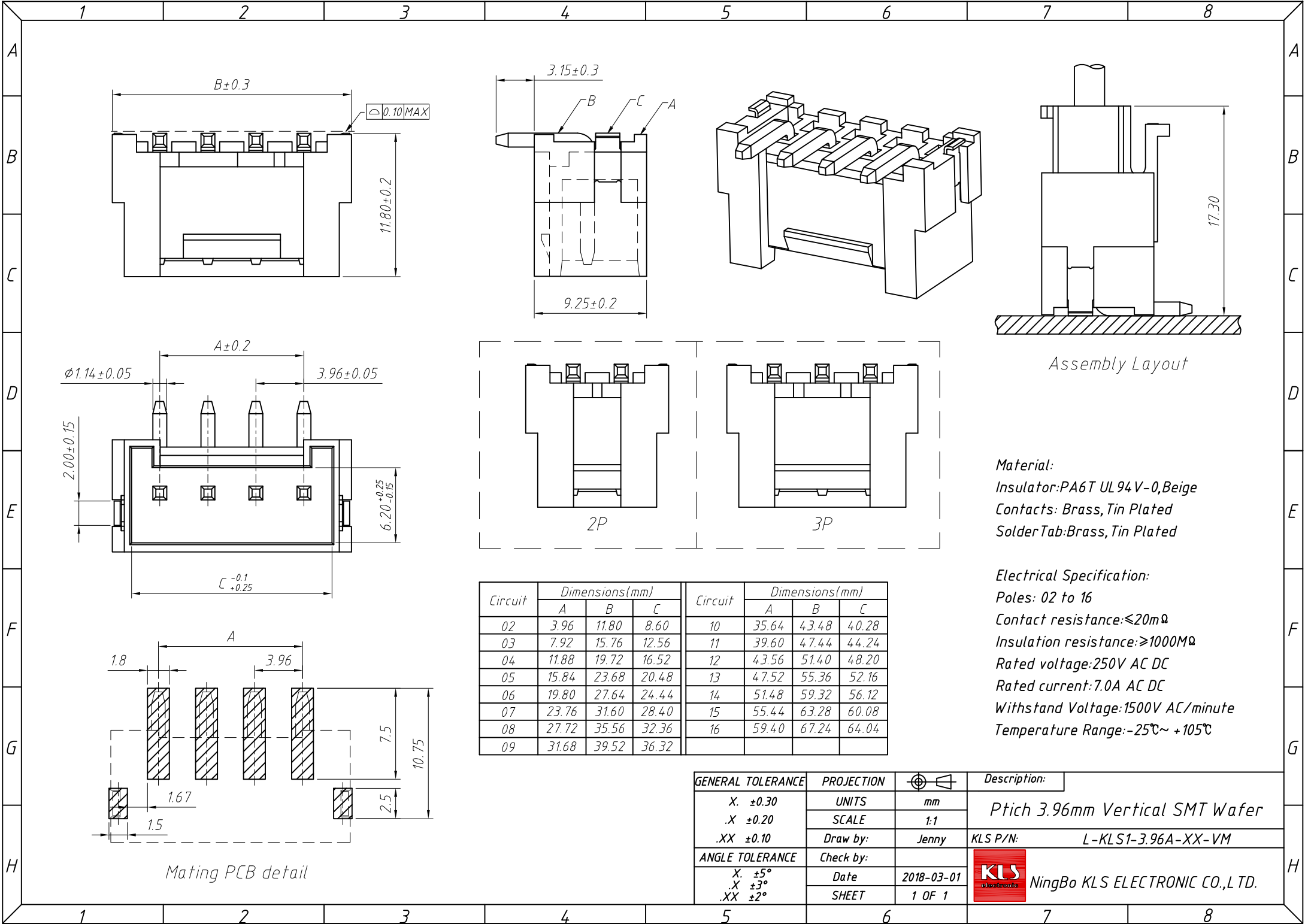
**Electrical Specification:**  
 Poles: 02 to 16  
 Contact resistance:  $\leq 20m\Omega$   
 Insulation resistance:  $\geq 1000M\Omega$   
 Rated voltage: 250V AC DC  
 Rated current: 7.0A AC DC  
 Withstand Voltage: 1500V AC/minute  
 Temperature Range:  $-25^{\circ}C \sim +105^{\circ}C$

Circuit	Dimensions(mm)			Circuit	Dimensions(mm)		
	A	B	C		A	B	C
02	3.96	11.80	8.60	10	35.64	43.48	40.28
03	7.92	15.76	12.56	11	39.60	47.44	44.24
04	11.88	19.72	16.52	12	43.56	51.40	48.20
05	15.84	23.68	20.48	13	47.52	55.36	52.16
06	19.80	27.64	24.44	14	51.48	59.32	56.12
07	23.76	31.60	28.40	15	55.44	63.28	60.08
08	27.72	35.56	32.36	16	59.40	67.24	64.04
09	31.68	39.52	36.32				



Mating PCB detail

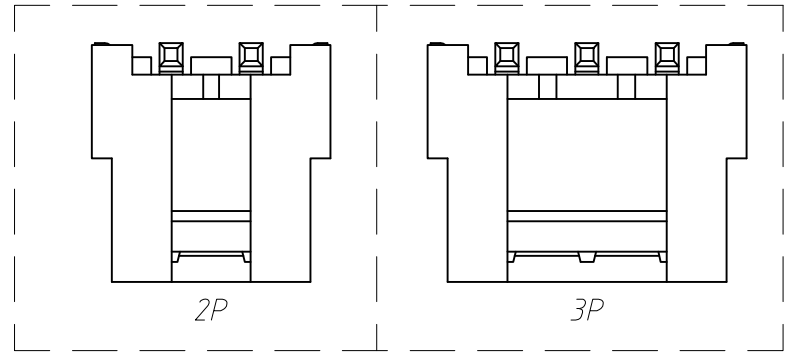
GENERAL TOLERANCE	PROJECTION		Description:
X. $\pm 0.30$	UNITS	mm	Ptich 3.96mm Horizontal SMT Wafer
.X $\pm 0.20$	SCALE	1:1	
.XX $\pm 0.10$	Draw by:	Jenny	
ANGLE TOLERANCE	Check by:		KLS P/N: L-KLS1-3.96A-XX-RM
X. $\pm 5^{\circ}$	Date	2018-03-01	NingBo KLS ELECTRONIC CO.,L TD.
.X $\pm 3^{\circ}$	SHEET	1 OF 1	
.XX $\pm 2^{\circ}$			



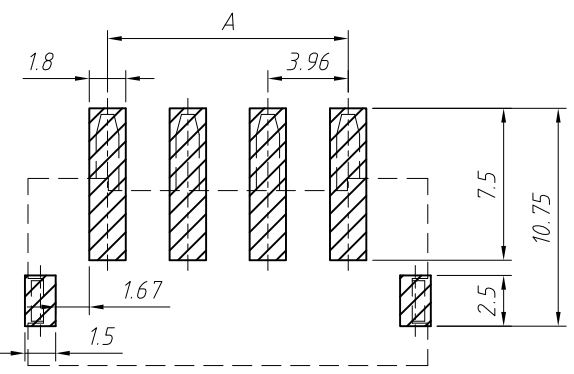
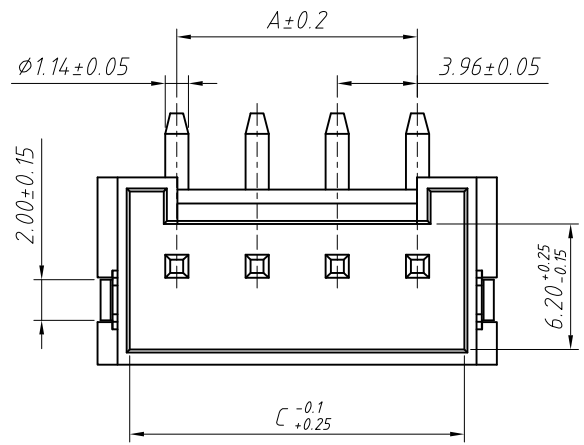
Assembly Layout

**Material:**  
 Insulator: PA6T UL 94V-0, Beige  
 Contacts: Brass, Tin Plated  
 Solder Tab: Brass, Tin Plated

**Electrical Specification:**  
 Poles: 02 to 16  
 Contact resistance:  $\leq 20m\Omega$   
 Insulation resistance:  $\geq 1000M\Omega$   
 Rated voltage: 250V AC DC  
 Rated current: 7.0A AC DC  
 Withstand Voltage: 1500V AC/minute  
 Temperature Range:  $-25^{\circ}C \sim +105^{\circ}C$



Circuit	Dimensions(mm)			Circuit	Dimensions(mm)		
	A	B	C		A	B	C
02	3.96	11.80	8.60	10	35.64	43.48	40.28
03	7.92	15.76	12.56	11	39.60	47.44	44.24
04	11.88	19.72	16.52	12	43.56	51.40	48.20
05	15.84	23.68	20.48	13	47.52	55.36	52.16
06	19.80	27.64	24.44	14	51.48	59.32	56.12
07	23.76	31.60	28.40	15	55.44	63.28	60.08
08	27.72	35.56	32.36	16	59.40	67.24	64.04
09	31.68	39.52	36.32				



Mating PCB detail

GENERAL TOLERANCE	PROJECTION		Description:
X. $\pm 0.30$	UNITS	mm	Ptich 3.96mm Vertical SMT Wafer
.X $\pm 0.20$	SCALE	1:1	
.XX $\pm 0.10$	Draw by:	Jenny	
ANGLE TOLERANCE	Check by:		KLS P/N: L-KLS1-3.96A-XX-VM
X. $\pm 5^{\circ}$	Date	2018-03-01	NingBo KLS ELECTRONIC CO.,L TD.
.X $\pm 3^{\circ}$	SHEET	1 OF 1	
.XX $\pm 2^{\circ}$			